

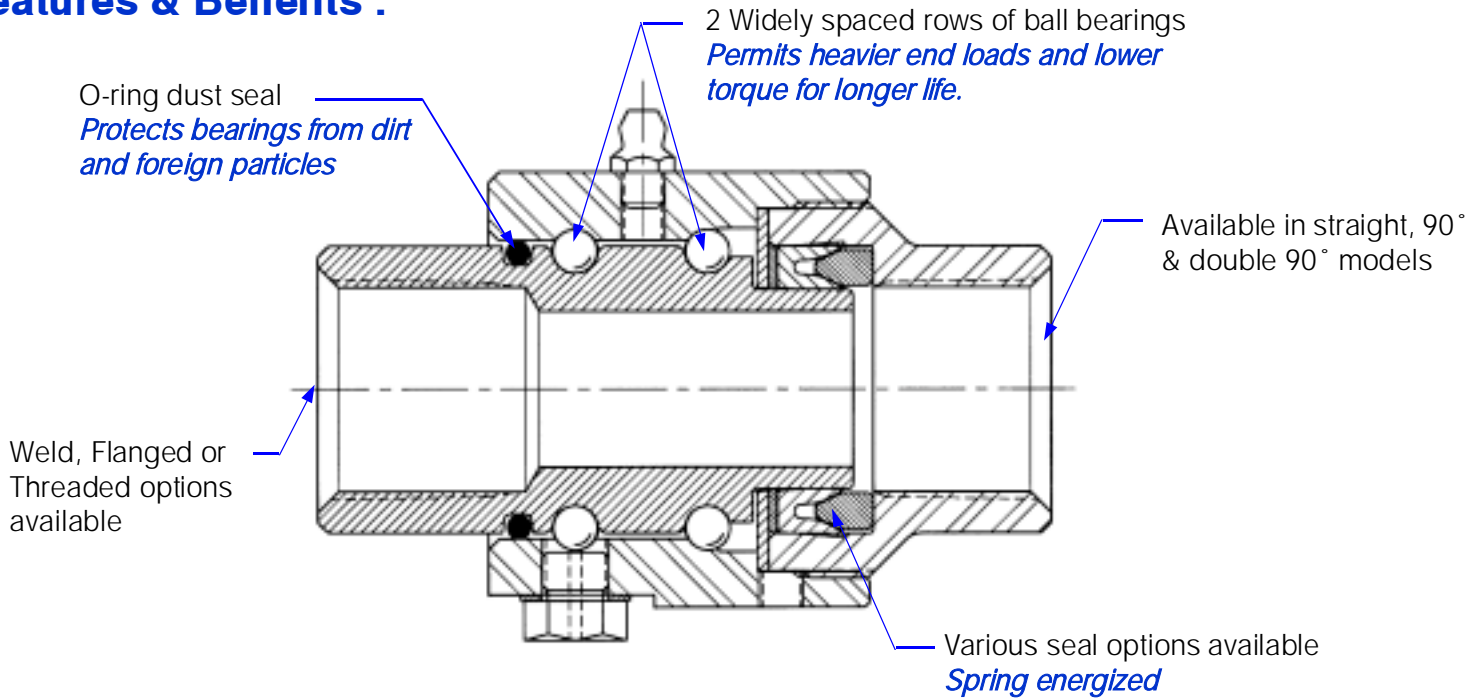


BARCO SERIES

Plane Swivel

Water Service Rotary Union

Features & Benefits :



6 sizes available : 1" through to 6"



Operating Parameters :

Code	Description	Temperature Range
-01	Buna N seal	-40° to 225°F
-04	EPR	-20° to 325°F
-06	Viton	-20° to 300°F

The Barco Plane Swivel Joints provide 360° movement between piping elements in one or more planes for conveying or transferring a wide range of fluids including oils, water, air, gasses and chemicals.

Additional Benefits :

- Available in threaded, welded and flanged ends to suit your application.
- Simple design permits fast easy installation.
- Spring energized seals offer leak-tight sealing at all pressures, including vacuum.
- Seal can be replaced without removing bearings.
- Available in three seal materials that are compatible with many gasses, fluids & chemicals.

Applications :

Manual and Automatic Car Washes
 Hydraulic Machinery
 Cleaning Equipment
 Hose Reels
 Tank Floating Roof Drain Systems
 Steel Industry



Engineered for Exceptional Performance