

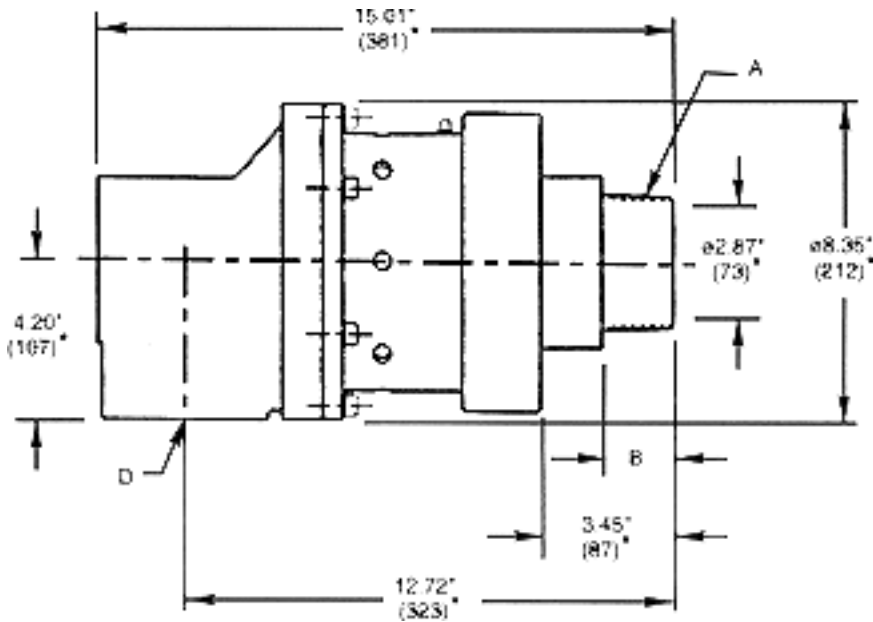
TYPE E-75RS AND RSX - 3" Size Rotary Unions

The BARCO E-75RS 3" water rotary union includes state-of-the-art technology for use with water applications. It was developed for use on mills and calenders in the rubber industry, galvanizing lines in the steel industry and film lines in the plastic industry.

Special Design Features

- Dry Run Capability
- Silicon carbide to carbon graphite mechanical seals.
- Clean, unobstructed flow path.
- Slinger and vented housing protects bearings from grease washout.
- Widely separated, pre-loaded bearings minimize vibrations.
- Replaceable seal assembly.
- Mono-Flow and Duo-Flow configurations
- Threaded and flanged connections.

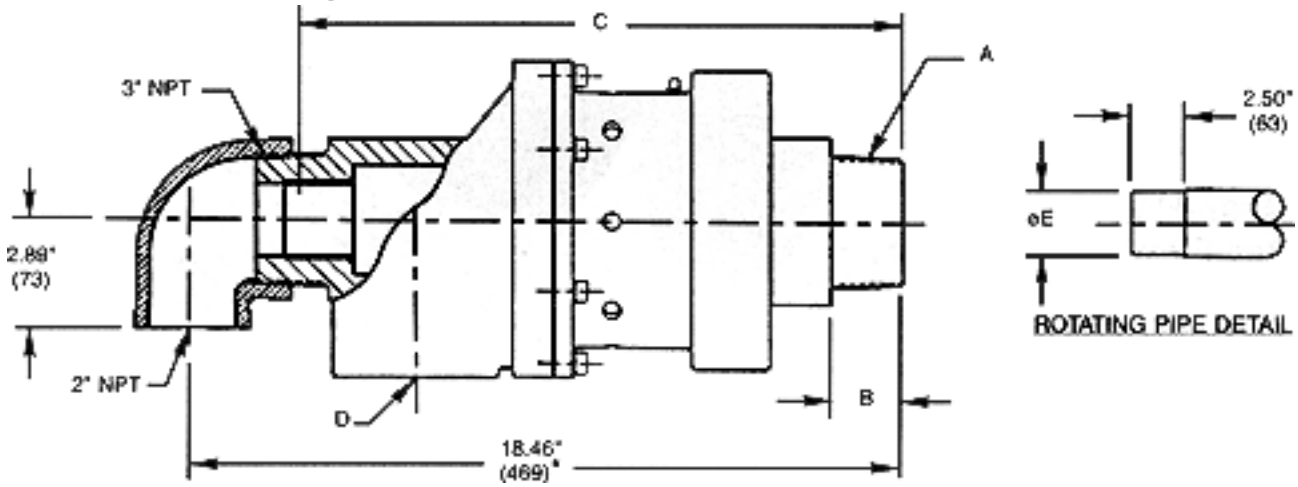
Mono-Flow



Mono-Flow Part Number	A	B	D
BC-31500-48-01	3" NPT R.H.	1.87" (47)	3" NPT
BC-31501-48-01	3" NPT L.H.		
BC-31542-48-01	3" BSP R.H.	1.73" (44)	
BC-31543-48-01	3" BSP L.H.		
BC-31502-48-01	Quick Release	see detail	

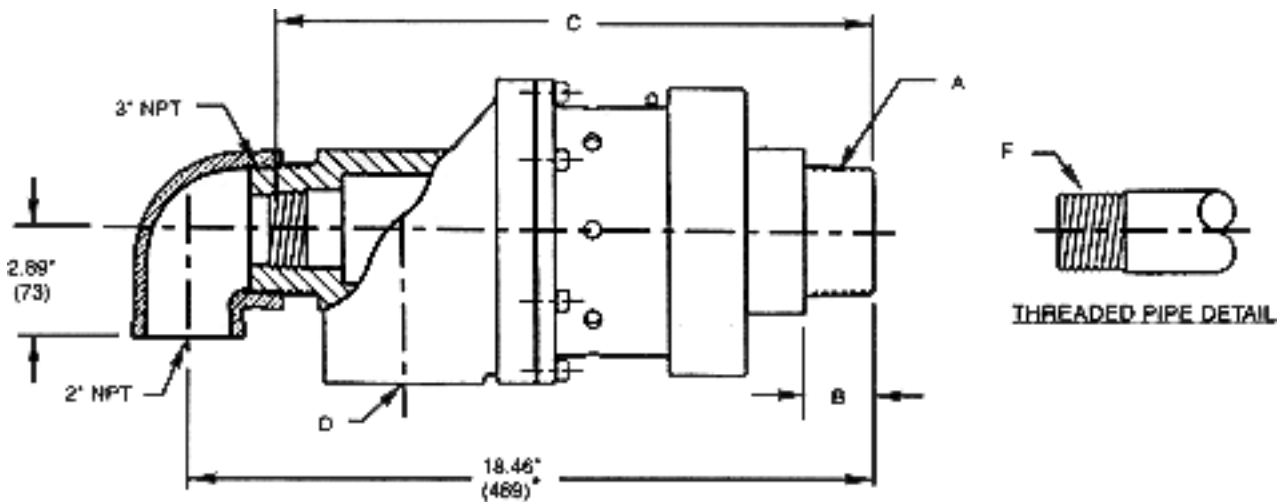
*denotes dimensions which are standard on all NPT and BSP Mono-Flow and Duo-Flow unions.

Duo-Flow Rotating Pipe



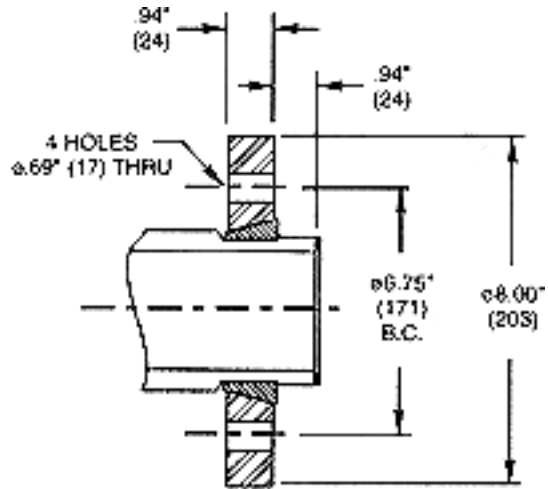
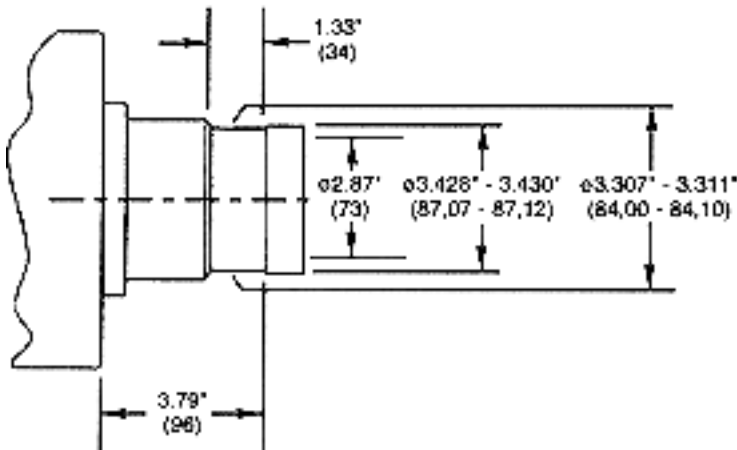
Duo-Flow Part Number	A	B	C Pipe Length into Union	D	E	Syphon Pipe Size
BC-31515-48-01	3" NPT (R.H.)	1.87" (47)	16.35" (415)	2" NPT	1.867" - 1.865" 47.42 - 47.37	1-1/2"
BC-31516-48-01	3" NPT (L.H.)					
BC-31534-48-01	3" BSP (R.H.)					
BC-31535-48-01	3" BSP (L.H.)					
BC-31510-48-01	Quick-Release	See Detail	17.63" (448)			
BC-31504-48-01	3" NPT (R.H.)	1.87" (47)	16.08" (408)	2" NPT	2.308" - 2.302" 58.62 - 58.475	2"
BC-31505-48-01	3" NPT (L.H.)					
BC-31536-48-01	3" BSP (R.H.)					
BC-31537-48-01	3" BSP (L.H.)					
BC-31506-48-01	Quick-Release	See Detail	17.36" (441)			

Duo-Flow Fixed Pipe



Duo-Flow Part Number	A	B	C Pipe Length into Union	D	Syphon Pipe Size	F Thread
BC-31507-48-01	3" NPT (R.H.)	1.87" (47)	16.44" (417)	2" NPT	1-1/2"	1-1/2" NPT
BC-31508-48-01	3" NPT (L.H.)					
BC-31538-48-01	3" BSP (R.H.)					
BC-31539-48-01	3" BSP (L.H.)	1.73" (44)				
BC-31514-48-01	Quick-Release	See Detail	17.72" (450)			
BC-31520-48-01	3" NPT (R.H.)	1.87" (47)	16.23" (412)	2" NPT	2"	2" NPT
BC-31521-48-01	3" NPT (L.H.)					
BC-31540-48-01	3" BSP (R.H.)					
BC-31541-48-01	3" BSP (L.H.)	1.73" (44)				
BC-31533-48-01	Quick-Release	See Detail	17.55" (446)			

Quick Release Detail



Flange Information