

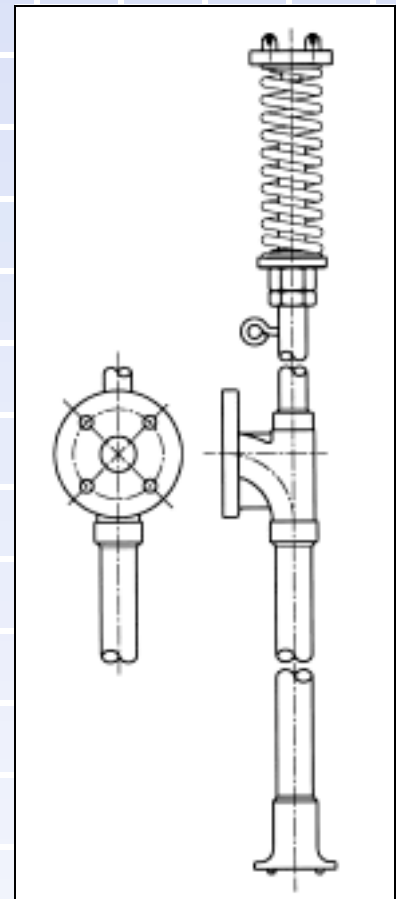
BARCO SERIES Rotary Syphon

For Paper Machine Dryers

The cost-effective solution for condensation removal

Special Design Features

- **Stainless steel heavy-duty long radius full flow elbow minimizes pressure drops and resists erosion.**
- **Hardened stainless steel pads accurately positions the pickup shoe for efficient condensate removal.**
- **Heavy-duty stainless steel spring prevents the syphon from moving inside the dryer.**
- **Full flow design for maximum condensate removal.**



The Barco Rotary Syphon is precision engineered for maximum performance and durability. Directly interchanging with competitive rotary syphons, the Barco Rotary Syphon offers long life at a low cost.

When combined with the Barco GR or GRX Rotary Joint, downtime and maintenance costs are drastically reduced.

Size Range

Vertical	Horizontal
3/4"	3/4", 1"
1"	1", 1-1/4"