

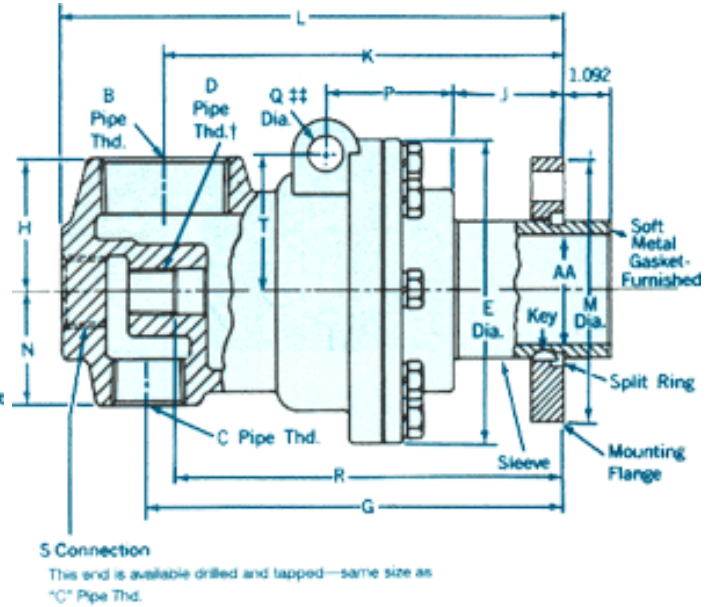
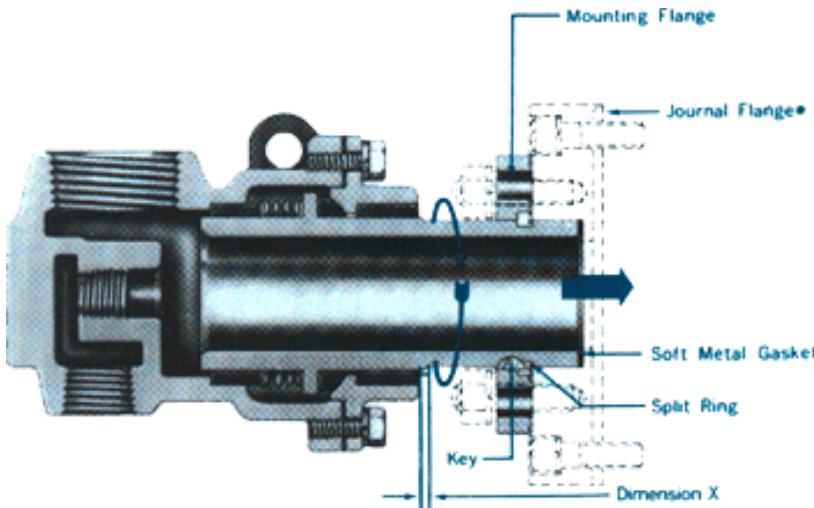
TYPE CF AND CSF

For quick and easy installation or removal. Provides precision control of concentricity.

Type CF and CSF Rotary Joints are identical to Type C and CS but offer flange mounting for use where this is desirable or necessary. Important advantages of flange mounting are that installation is simple and quick, and the concentricity and alignment are accurately controlled. Standard CF joints are furnished with mounting flanges, split ring (two halves), key and soft metal ring gasket.

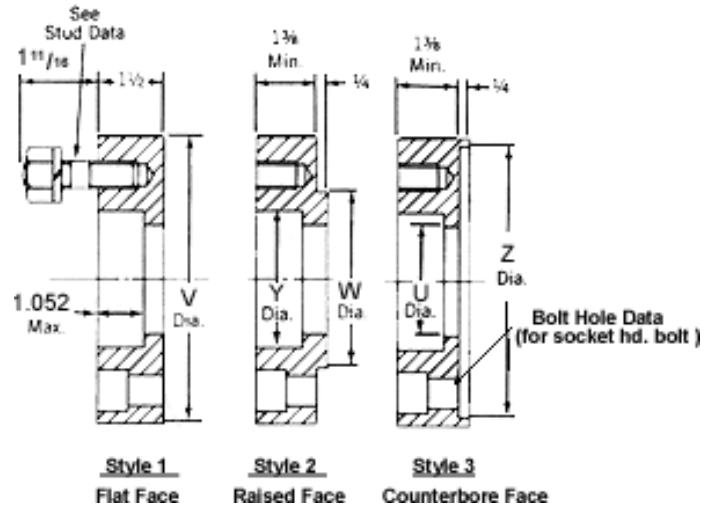
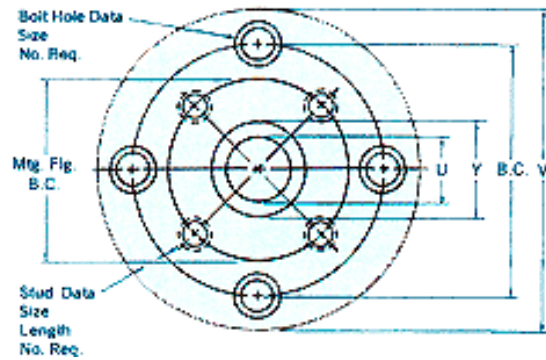
Sizes: 1", 1-1/2", 2", 2-1/2", 3"

Operating temperatures as high as 406°F (208°C), pressures up to 250 psi (17.5 Kg/cm²) hydraulics. No lubrication required.



Journal Flanges *

Mounting Flange



Joint Size	Type CF Basic Ass'y No.	Type CSF Basic Ass'y No.	Joint Trim	Working Pressure (psi)		Pipe Threads*				
				Cold	Saturated Steam	A&B	C	D Siphon Thd. Integral	D Siphon Thd. w /Bush.	AA Pipe ID
1"	BC54000	BC54100	Ferrous	500	250	1"	1/2"	3/8"	1/4"	1.00
	BC54065	BC54165	Bronze	300	125					
1-1/2"	BC54000	BC54100	Ferrous	500	250	1-1/2"	3/4"	3/4"	1/2"	1.50
	BC54065	BC54165	Bronze	300	125					
2"	BC54000	BC54100	Ferrous	400	225	2"	1-1/4"	3/4"	1/2"	1.88
	BC54065	BC54165	Bronze	300	125					
2-1/2"	BC54000	BC54100	Ferrous	400	225	2-1/2"	1-1/4"	1"	3/4"	2.38
	BC54065	BC54165	Bronze	300	125					
3"	BC54000	BC54100	Ferrous	400	225	3"	1-1/2"	1 1/2"	1"	2.88
	BC54065	BC54165	Bronze	300	125					

Joint Size	E	G	H	J	K	L(CF)	L(CFS)	M	N	P	Q Hole Size	Torque Rod OD max	R	S Conn	T	X	Weight lbs
1"	3.62	5.67 6.42	2.06	1.78 2.54	4.92 5.67	6.73 7.48	5.97 6.72	3.88	1.25	1.96	.50	.38	5.36 6.11	1/2	2.31	.25	9
1-1/2"	4.75	7.88	2.44	2.57	7.44	9.44 8.94		4.88	2.06	2.56	.62	.50	7.38	3/4	3.00	.25	19
2"	6.00	9.09	2.75	2.73	8.53	11.09		5.50	2.56	2.75	.62	.50	8.66	1-1/4	2.75	.31	31
2-1/2"	6.75	9.75	3.00	2.59	9.35	12.06		5.88	2.50	3.35	.75	.62	9.17	1-1/4	3.06	.25	40
3"	7.88	10.35	3.62	2.62	10.16	12.53		6.50	2.88	3.50	.94	.75	9.84	1-1/2	3.62	.25	50
For Siphon Use ... All joints equipped for use with siphon pipe are furnished with "D" connection for large size siphon - a bushing is shipped with each joint, 1" through 3" sizes for reducing the "D" connection for small size siphon if required. Installation instructions are included with each bushing. Siphon pipes are not included.													* Journal flanges not furnished.				

Mounting Flange Data

Joint Size	Stud Data				Y + .003 - .000
	Bolt Circle	Size	Length	Reg.	
1	2-3/4	1/2 - 13	2-1/2	4	1.406
1-1/2	3-5/8	5/8 - 11	2-1/2	4	2.096
2	4-1/4	5/8 - 11	2-1/2	4	2.721
2-1/2	4-5/8	5/8 - 11	2-1/2	4	3.096
3	5-1/4	5/8 - 11	2-1/2	4	3.721

When Ordering Journal Flanges	
Flange Dimension	Bolt Hole Data
U	B.C.
V	Size
W	No. req.
Z	

Bronze Trim Construction

Bronze sleeve and end cap, with iron casting for water, brine, and low pressure steam are available.

Ferrous Trim Construction

Recommended for higher pressure steam to 250 psi (17.5 Kg/cm²) and hot oil service.

Ordering Journal Flanges

Journal flanges may be ordered separately to specifications or furnished by the customer. Flange styles 2 or 3 with custom-machined "Pilot Diameters" are recommended for best concentricity control. The customer will normally furnish studs, nuts and lockwashers for mounting flange, socket head bolts for the journal flange and the gasket between flange and journal. If the journal flange is purchased from BARCO, studs, nuts and lockwashers for the mounting flange to journal flange assembly are furnished.

Preventive Maintenance

By measuring dimension 'X' (from step on sleeve to end of cap) and referring to the dimension table, visual inspection periodically can determine when seals should be replaced.