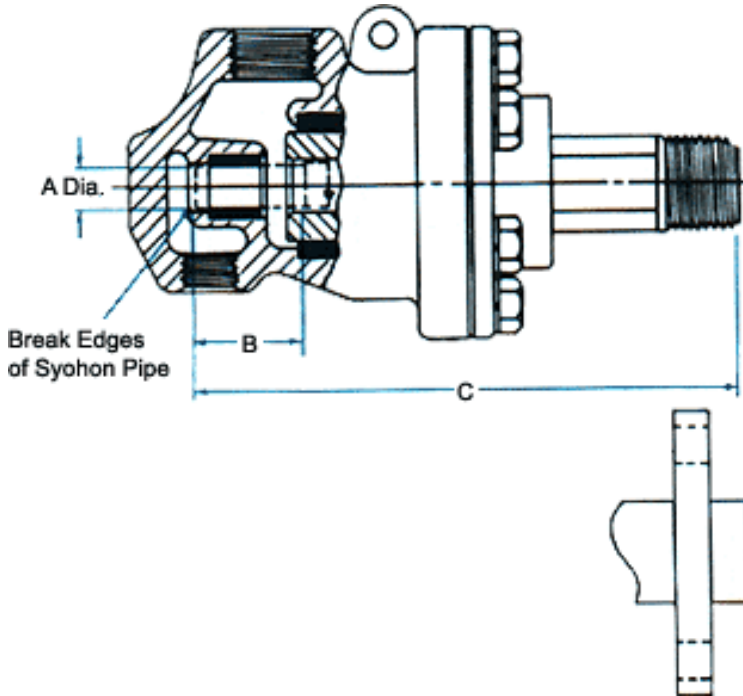


TYPE CR AND CRF

The BARCO CR (threaded) and CRF (flanged) Rotary Joints are designed to be used with rotating syphon in water or other circulating service. The rotating syphon pipe is retained by a special bearing (in place of a threaded stationary syphon connection), which is independent of the seal. When used in circulating liquid service with relatively equal pressure in both inlet and outlet passages, a small amount of "cross circuit" leakage between the passages must be permissible. Syphon pipes are not furnished, but must be machined to dimensions given in the table below. Pressure and temperature ratings are equivalent to those given for Type C and CF.



| Joint Size | Type CR | | | | Type CRF | | | Syphon Pipe Size | A dia.* Syphon pipe | "B" Length | Free flow area around syphon (sq. in.) | Thread End "C" | Flanged End "C" |
|------------|------------|------------------|---------------|---------------|------------|------------------|---------------|------------------|---------------------|------------|--|----------------|-----------------|
| | Joint Trim | Assembly Numbers | | Wt. (in lbs.) | Joint Trim | Assembly Numbers | Wt. (in lbs.) | | | | | | |
| | | Left Hand | Right Hand | | | | | | | | | | |
| 1/2 | Ferrous | BC54205-08-51 | BC54205-08-50 | 3.5 | - | - | - | 1/8 | .371/ .372 | 1-1/8 | .068 | 5.19 | - |
| | Bronze | BC54206-08-51 | BC54206-08-50 | 3.5 | | | | | | | | | |
| 3/4 | Ferrous | BC54205-12-51 | BC54205-12-50 | 4.5 | - | - | - | 1/4 | .496/ .497 | 1-1/8 | .213 | 5.25 | - |
| | Bronze | BC54206-12-51 | BC54206-12-50 | 4.5 | | | | | | | | | |
| 1 | Ferrous | BC54205-16-51 | BC54205-16-50 | 5.5 | Ferrous | BC54205-16-60 | 6.5 | 3/8 | .621/ .622 | 1-1/4 | .427 | 6.18 | 6.00 |
| | Bronze | BC54206-16-51 | BC54206-16-50 | 5.5 | Bronze | BC54206-16-60 | 6.5 | | 6.74 | | | | |
| 1-1/4 | Ferrous | BC54205-20-51 | BC54205-20-50 | 12 | Ferrous | BC54205-20-60 | 13 | 1/2 | .808/ .810 | 1-1/2 | .673 | 7.25 | 6.81 |
| | Bronze | BC54206-20-51 | BC54206-20-50 | 12 | Bronze | BC54206-20-60 | 13 | | 7.75 | | | | |
| 1-1/2 | Ferrous | BC54205-24-51 | BC54205-24-50 | 15 | Ferrous | BC54205-24-60 | 16.5 | 3/4 | .995/ .997 | 1-1/2 | .901 | 7.75 | 8.13 |
| | Bronze | BC54206-24-51 | BC54206-24-50 | 15 | Bronze | BC54206-24-60 | 16.5 | | | | | | |
| 2 | Ferrous | BC54205-32-51 | BC54205-32-50 | 26 | Ferrous | BC54205-32-60 | 29 | 1 | 1.245/ 1.247 | 2 | 1.784 | 9.12 | 9.59 |
| | Bronze | BC54206-32-51 | BC54206-32-50 | 26 | Bronze | BC54206-32-60 | 29 | | | | | | |
| 2-1/2 | Ferrous | BC54205-40-51 | BC54205-40-50 | 35 | Ferrous | BC54205-40-60 | 37 | 1-1/4 | 1.495/ 1.497 | 2-1/4 | 2.745 | 10.62 | 10.17 |
| | Bronze | BC54206-40-51 | BC54206-40-50 | 35 | Bronze | BC54206-40-60 | 37 | | | | | | |
| 3 | Ferrous | BC54205-48-51 | BC54205-48-50 | 44 | Ferrous | BC54205-48-60 | 50 | 1-1/2 | 1.745/ 1.747 | 2-1/4 | 4.234 | 11.31 | 10.75 |
| | Bronze | BC54206-48-51 | BC54206-48-50 | 44 | Bronze | BC54206-48-60 | 50 | | | | | | |

* Note: This diameter to be machined smooth (16-32 RMS) Joints are available with JIS and /or BSP threads on sleeve.