

TYPE E-75RS AND RSX - 3/8" to 2" Sizes

The BARCO E-75 RS and E-75 RSX (extra life) Series incorporate state-of-the-art sealing technology for use on water applications. This product is primarily used in the printing, paper, rubber, plastics and steel processing industries.

Special Design Features

- Dry Run Capability
- Silicon carbide to carbon graphite mechanical seals.
- For abrasive applications, silicon carbide to silicon carbide mechanical seals.
- Available in Mono-Flow and Duo-Flow configurations.
- Seals are user replaceable.
- Sizes from 3/8" to 2"
- Available in US and metric thread specifications

Maintenance

The only maintenance required of the BARCO E-75RS and E-75RSX Series is occasional lubrication. of the ball bearings. **DO NOT OVER-LUBRICATE.**

Part numbers shown are for joints used at temperatures up to +225° F(+107° C). For joints rated up to +350° F(+177° C), change the part number suffix from -01 to -04. Please specify service conditions when ordering.

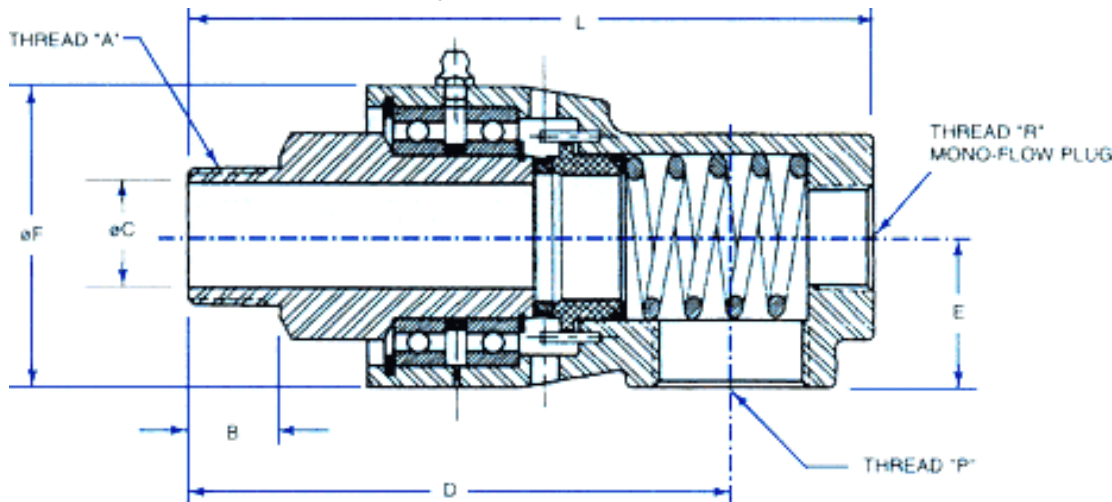
Ratings

Pressure: 150 psi (10.5kg/cm²)
 Temp.: +225° F(+107° C) -01 part num. suffix
 +350° F(+177° C) -04 part num. suffix

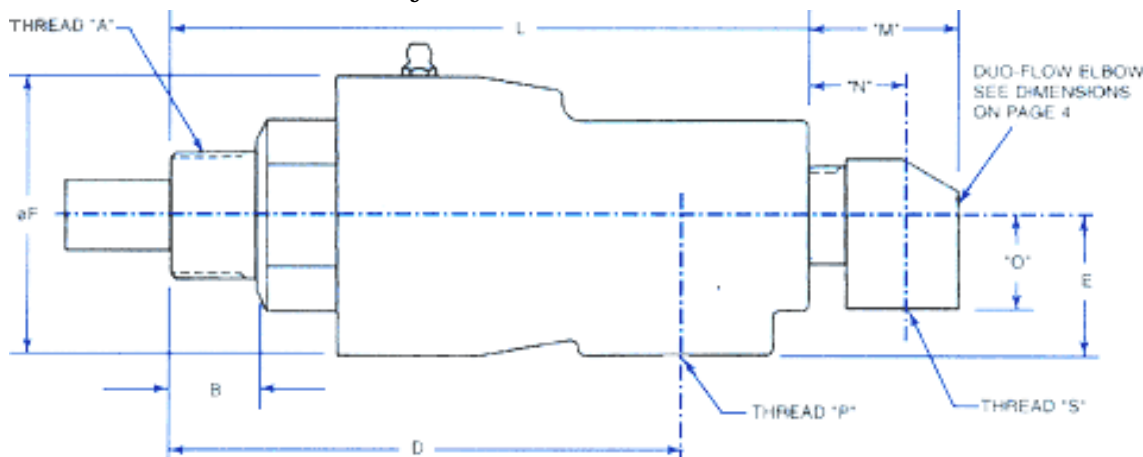
RPM
 3/8", 1/2", 3/4" Sizes - 3500 RPM
 1" Size - 3000 RPM
 1-1/4" and 1-1/2" Sizes - 2500 RPM
 2" Size - 750 RPM

For larger sizes see E-75RS 2-1/2" & E-75RS 3"

Mono-Flow Water Rotary Union



Duo-Flow Water Rotary Union



Joint Size	E-75 RS Part Number	E-75 RSX Part Number	Thread A	B	C	D	E	F	L	P	R
3/8	BC32000-06-01	BC33000-06-01	5/8"-18UNF-2A R.H.	.50	.38	3.32	.91	1.81	3.99	3/8" NPT	1/4" NPT
	BC32001-06-01	BC33001-06-01	5/8"-18UNF-2A L.H.	(12.7)	(9.6)	(84)	(23)	(46)	(101)		
	BC32002-06-01	BC33002-06-01	3/8"-18NPT R.H.	.56	.38	3.32	.91	1.81	3.99		
	BC32003-06-01	BC33003-06-01	3/8"-18NPT L.H.	(14.2)	(9.6)	(84)	(23)	(46)	(101)		
	BC32100-06-01	BC33100-06-01	3/8" BSP R.H.	.56	.38	3.32	.91	1.81	3.99		
	BC32101-06-01	BC33101-06-01	3/8" BSP L.H.	(14.2)	(9.6)	(84)	(23)	(46)	(101)		
1/2	BC32000-08-01	BC33000-08-01	3/4"-16UNF-2A R.H.	.69	.50	3.90	1.13	2.25	4.69	3/4" NPT	1/2" NPT
	BC32001-08-01	BC33001-08-01	3/4"-16UNF-2A L.H.	(17.5)	(12.7)	(99)	(29)	(57)	(119)		
	BC32002-08-01	BC33002-08-01	1/2" NPT R.H.	1.00	.50	4.19	1.13	2.25	4.98		
	BC32003-08-01	BC33003-08-01	1/2" NPT L.H.	(25.4)	(12.7)	(106)	(29)	(57)	(126)		
	BC32100-08-01	BC33100-08-01	1/2" BSP R.H.	.75	.50	3.96	1.13	2.25	4.75		
	BC32101-08-01	BC33101-08-01	1/2" BSP L.H.	(19.1)	(12.7)	(101)	(29)	(57)	(121)		
	BC32162-08-01	BC33162-08-01	M22 x 1.5 R.H.	.62	.50	3.83	1.13	2.25	4.62		
	BC32163-08-01	BC33163-08-01	M22 x1.5 L.H.	(15.7)	(12.7)	(97)	(29)	(57)	(117)		
3/4	BC32000-12-01	BC33000-12-01	1"-14UNS-2A R.H.	.69	.66	4.44	1.44	2.88	5.44	3/4" NPT	1/2" NPT
	BC32001-12-01	BC33001-12-01	1"-14UNS-2A L.H.	(17.5)	(16.7)	(113)	(37)	(73)	(138)		
	BC32002-12-01	BC33002-12-01	3/4" NPT R.H.	1.00	.66	4.75	1.44	2.88	5.75		
	BC32003-12-01	BC33003-12-01	3/4" NPT L.H.	(25.4)	(16.7)	(121)	(37)	(73)	(146)		
	BC32100-12-01	BC33100-12-01	3/4" BSP R.H.	.75	.66	4.50	1.44	2.88	5.50		
	BC32101-12-01	BC33101-12-01	3/4" BSP L.H.	(19.1)	(16.7)	(114)	(37)	(73)	(140)		
	BC32162-12-01	BC33162-12-01	M35 x 1.5 R.H.	.62	.66	5.00	1.44	2.88	6.00		
BC32163-12-01	BC33163-12-01	M35 x1.5 L.H.	(15.7)	(16.7)	(127)	(37)	(73)	(152)			
1	BC32025-16-01	BC33025-16-01	1" NPT R.H.	1.12	1.00	5.46	1.62	3.25	6.89	1"-11-1/2" NPT	3/4" NPT
	BC32026-16-01	BC33026-16-01	1" NPT L.H.	(28.4)	(25.4)	(139)	(41)	(82)	(175)		
	BC32034-16-01	BC33034-16-01	1-1/2"-12 UNF R.H.	1.12	1.00	5.46	1.62	3.25	6.89		
	BC32035-16-01	BC33035-16-01	1-1/2"-12 UNF L.H.	(28.4)	(25.4)	(139)	(41)	(82)	(175)		
	BC32100-16-01	BC33100-16-01	1" BSP R.H.	.87	.88	5.46	1.62	3.25	6.89		
	BC32101-16-01	BC33101-16-01	1" BSP L.H.	(22.1)	(22.4)	(139)	(41)	(82)	(175)		
	BC32162-16-01	BC33162-16-01	M35 x 1.5 R.H.	1.12	1.00	5.46	1.62	3.25	6.89		
BC32163-16-01	BC33163-16-01	M35 x1.5 L.H.	(28.4)	(25.4)	(139)	(41)	(82)	(175)			
1-1/4	BC32000-20-01	BC33000-20-01	1-3/4"-12 UN-2A R.H.	1.13	1.25	6.00	1.78	3.56	7.69	1-1/4" NPT	1" NPT
	BC32001-20-01	BC33001-20-01	1-3/4"-12UN-2A L.H.	(28.7)	(31.7)	(152)	(45)	(90)	(195)		
	BC32002-20-01	BC33002-20-01	1-1/4"-NPT R.H.	1.13	1.25	6.00	1.78	3.56	7.69		
	BC32003-20-01	BC33003-20-01	1-1/4" -NPT L.H.	(28.7)	(31.7)	(152)	(45)	(90)	(195)		
	BC32100-20-01	BC33100-20-01	1-1/4" BSP R.H.	1.13	1.25	6.00	1.78	3.56	7.69		
	BC32101-20-01	BC33101-20-01	1-1/4" BSP L.H.	(28.7)	(31.7)	(152)	(45)	(90)	(195)		
1-1/2	BC32000-24-01	BC33000-24-01	2"-12UN-2A R.H.	1.06	1.50	6.48	1.84	3.68	8.19	1-1/2" NPT	1" NPT
	BC32001-24-01	BC33001-24-01	2"-12UN-2A L.H.	(26.9)	(38.1)	(164)	(47)	(93)	(203)		
	BC32002-24-01	BC33002-24-01	1-1/2"-NPT R.H.	1.13	1.50	6.54	1.84	3.68	8.07		
	BC32003-24-01	BC33003-24-01	1-1/2"-NPT L.H.	(28.7)	(38.1)	(166)	(47)	(93)	(205)		
	BC32100-24-01	BC33100-24-01	1-1/2" BSP R.H.	1.14	1.38	6.48	1.84	3.68	8.01		
	BC32101-24-01	BC33101-24-01	1-1/2" BSP L.H.	(28.9)	(35.1)	(164)	(47)	(93)	(203)		
	BC32162-24-01	BC33162-24-01	M50 x 1.5 R.H.	.87	1.50	6.54	1.84	3.68	8.07		
BC32163-24-01	BC33163-24-01	M50 x1.5 L.H.	(22.1)	(38.1)	(166)	(47)	(93)	(205)			
2	BC32002-32-01	BC33002-32-01	2" NPT R.H.	1.19	1.75	7.73	2.31	4.62	9.97	2" NPT	1-1/4" NPT
	BC32003-32-01	BC33003-32-01	2" NPT L.H.	(30.2)	(44.4)	(196)	(59)	(117)	(253)		
	BC32108-32-01	BC33108-32-01	Quick Release								

All dimensions in inches. For larger sizes see E-75RS 2-1/2" & E-75RS 3"

Note: Special or extended sleeves are available, consult the factory.

Note: BSP Threads conform to ISO R288 and DIN 259 for parallel pipe threads.