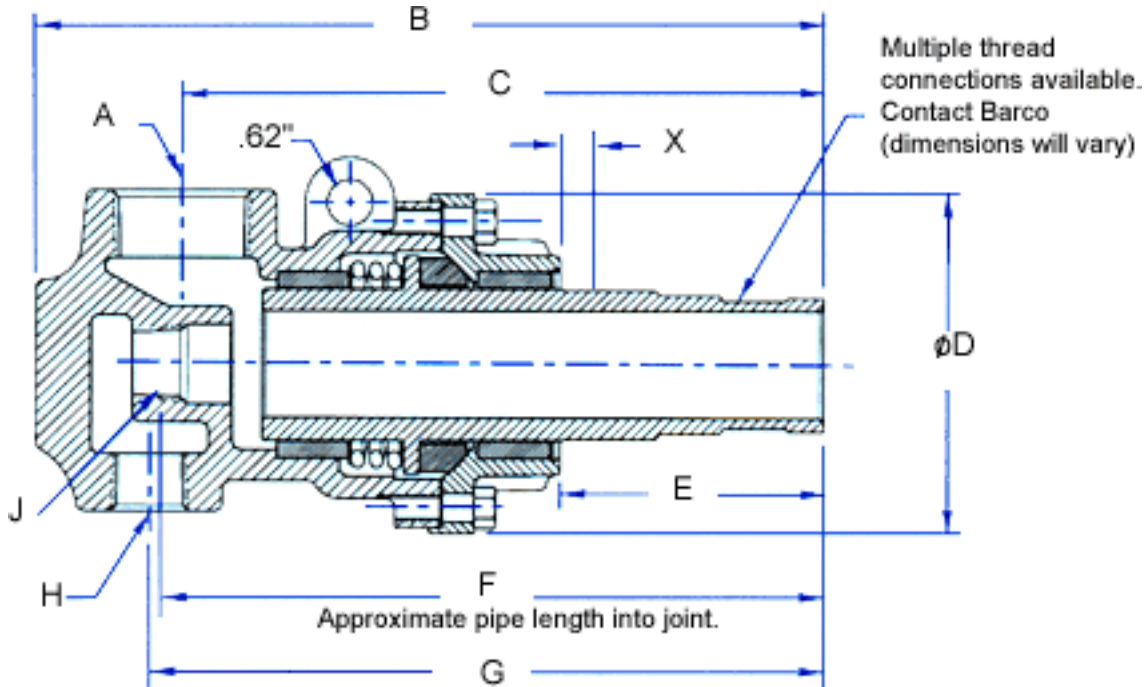


# TYPE SUPER G

Super G Rotary Steam Joints for rotary syphons sizes 1-1/4", 1-1/2" and 2"

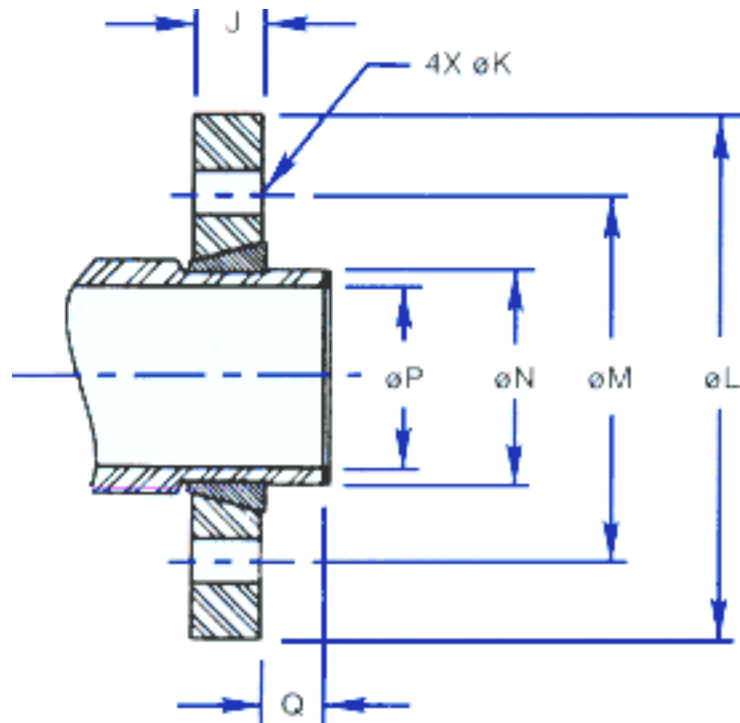
## Super G Special Design Features

- Antimony seals and bearings are standard
- Two widely spaced bearings for stability, greater syphon support and longer wear
- Available in quick-release flange assembly or threaded sleeve
- External seal wear indicator for preventive maintenance
- All wear surfaces are treated for improved corrosion resistance
- Directly interchangeable with competitive designs
- Seal under compression design can better handle pressure surges and promotes longer life



Joint Size	Super G Part Number	A Thread NPT	B Syphon	C	∅D	E	F Syphon	G	H Thread NPT	J Thread NPT	X
1-1/4"	BC-55000-20-62	1-1/4"	10.45" (265)	8.54" (217)	4.38" (111)	3.48" (88)	9.00" (229)	8.85" (225)	3/4"	1/2"	.34" (8.6)
1-1/2"	BC-55000-24-62	1-1/2"	10.67" (276)	8.87" (225)	4.75" (121)	3.63" (92)	9.35" (237)	9.31" (236)	3/4"	3/4"	.34" (8.6)
2"	BC-55000-32-62	2"	12.02" (305)	9.46" (240)	6.00" (152)	3.20" (81)	10.01" (256)	10.08" (256)	1-1/4"	3/4"	.41" (10)

Flange Detail for  
GR, GRX and Super G



Joint Size	Part Number*	J	ÆK	ÆL	ÆM	ÆN	ÆP	Q
1-1/4"	10-64034-43	.62" (16)	.56" (14)	5.50" (140)	3.50" (89)	1.620" - 1.622" (41.15 - 41.20)	1.25" (32)	.500" (13)
1-1/2"	10-64035-43	.69" (17)	.56" (14)	5.50" (140)	3.58" (98)	1.870" - 1.872" (47.50 - 47.55)	1.50" (38)	.500" (13)
2"	10-64036-43	.75" (19)	.56" (14)	6.81" (173)	4.75" (121)	2.318" - 2.320" (58.88 - 58.93)	1.88" (48)	.625" (16)
2-1/2"	10-64037-43	.88" (22)	.56" (14)	6.75" (171)	4.75" (121)	2.836" - 2.838" (72.03 - 72.08)	2.38" (60)	.748" (19)
3"	10-64038-43	.94" (24)	.69" (18)	8.00" (203)	6.75" (171)	3.428" - 3.430" (87.07 - 87.12)	2.88" (73)	.878" (22)

\*Kit consists of split wedges, flange and gasket.  
Special flanges available on request, contact Barco.