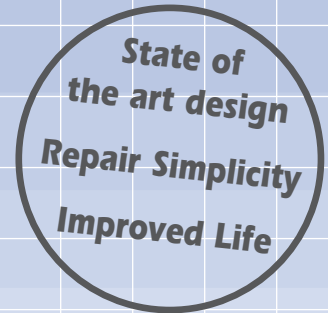


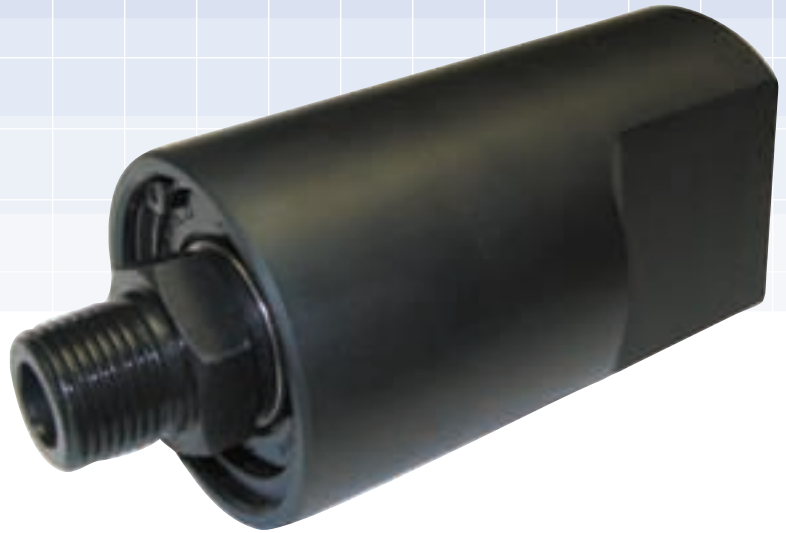
BARCO SERIES **E-2**

Air Service Rotary Unions



Special Design Features

- **PLUS!** Corrosion resistant treatment extends life in marine and wet environments.
- Ceramic to carbon graphite mechanical seals.
- Seals are user replaceable with inexpensive repair kits.
- Sizes from 3/8" to 2".
- Available in U.S. and metric thread specifications.
- Low Torque.



The Barco E-2 Rotary Union incorporates state-of-the-art sealing technology for use on air applications. This product is primarily used on clutches, brakes, winches, oil field drilling, mining services.

Operating Data

Max. Pressure

150 PSI 10,3 BAR

Temperature

+250°F (+121°C)

Max. Speed

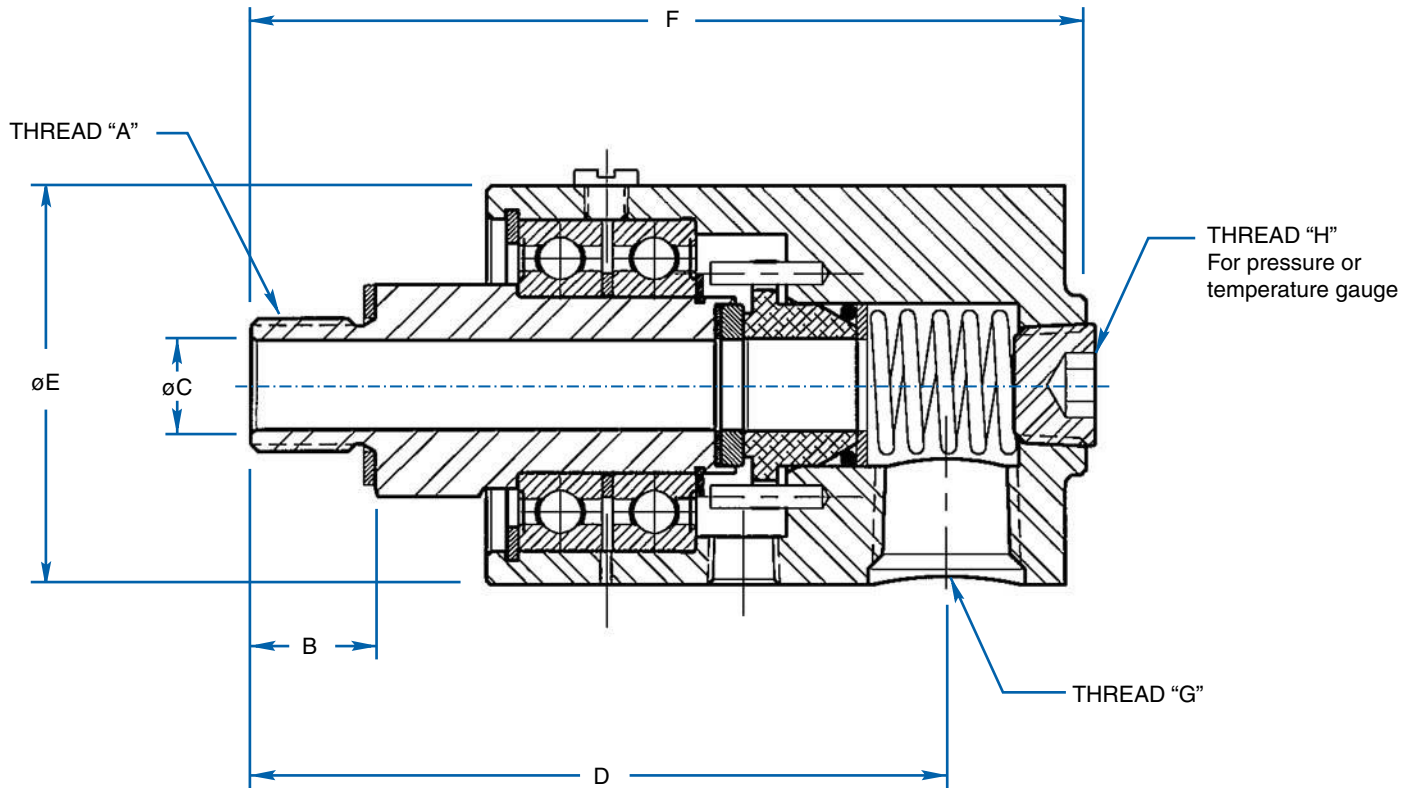
3/8" - 3,500 RPM	1 1/4" - 2,500 RPM
1/2" - 3,500 RPM	1 1/2" - 2,500 RPM
3/4" - 3,500 RPM	2" - 750 RPM
1" - 3,000 RPM	

Barco Standard Part Numbers*

Union Size	E-2 Part Number	Thread "A"	B	ØC	D	ØE	F	"G" NPT	"H" NPT
3/8"	BC-54701-06-01	3/8" - 18 NPT (R.H.)	.56"	.38"	3.30"	1.81"	3.98"	3/8"	1/4"
	BC-54702-06-01	3/8" - 18 NPT (L.H.)	(14.2)	(9.6)	(84)	(46)	(101)		
	BC-54703-06-01	5/8" - 18 UNF (R.H.)	.50"	.38"	3.30"	1.81"	3.98"		
	BC-54704-06-01	5/8" - 18 UNF (L.H.)	(12.7)	(9.6)	(84)	(46)	(101)		
	BC-54705-06-01	G 3/8" BSPP (R.H.)	.56"	.38"	3.30"	1.81"	3.98"		
BC-54706-06-01	G 3/8" BSPP (L.H.)	(14.2)	(9.6)	(84)	(46)	(101)			
1/2"	BC-54701-08-01	1/2" NPT (R.H.)	1.00"	.50"	4.19"	2.23"	4.98"	1/2"	3/8"
	BC-54702-08-01	1/2" NPT (L.H.)	(25.4)	(12.7)	(106)	(57)	(126)		
	BC-54703-08-01	3/4" - 16 UNF (R.H.)	.69"	.50"	3.90"	2.23"	4.69"		
	BC-54704-08-01	3/4" - 16 UNF (L.H.)	(17.5)	(12.7)	(99)	(57)	(119)		
	BC-54705-08-01	G 1/2" BSPP (R.H.)	.75"	.50"	3.90"	2.23"	4.75"		
	BC-54706-08-01	G 1/2" BSPP (L.H.)	(19.1)	(12.7)	(99)	(57)	(121)		
BC-54707-08-01	M22 X 1.5 (R.H.)	.62"	.50"	3.83"	2.23"	4.62"			
BC-54708-08-01	M22 X 1.5 (L.H.)	(15.7)	(12.7)	(97)	(57)	(117)			
3/4"	BC-54701-12-01	3/4" NPT (R.H.)	1.00"	.66"	4.75"	2.60"	5.75"	3/4"	1/2"
	BC-54702-12-01	3/4" NPT (L.H.)	(25.4)	(16.7)	(121)	(66)	(146)		
	BC-54703-12-01	1" - 14 UNS (R.H.)	.69"	.66"	4.44"	2.60"	5.44"		
	BC-54704-12-01	1" - 14 UNS (L.H.)	(17.5)	(16.7)	(113)	(66)	(138)		
	BC-54705-12-01	G 3/4" BSPP (R.H.)	.75"	.66"	4.50"	2.60"	5.50"		
	BC-54706-12-01	G 3/4" BSPP (L.H.)	(19.1)	(16.7)	(114)	(66)	(140)		
BC-54707-12-01	M35 X 1.5 (R.H.)	.62"	.66"	5.01"	2.60"	6.01"			
BC-54708-12-01	M35 X 1.5 (L.H.)	(15.7)	(16.7)	(127)	(66)	(152)			
1"	BC-54701-16-01	1" NPT (R.H.)	1.12"	1.00"	5.46"	3.25"	6.87"	1"	3/4"
	BC-54702-16-01	1" NPT (L.H.)	(28.4)	(25.4)	(139)	(82)	(174)		
	BC-54703-16-01	1 1/2" - 12 UNF (R.H.)	1.12"	1.00"	5.46"	3.25"	6.87"		
	BC-54704-16-01	1 1/2" - 12 UNF (L.H.)	(28.4)	(25.4)	(139)	(82)	(174)		
	BC-54705-16-01	G 1" BSPP (R.H.)	.87"	.88"	5.46"	3.25"	6.87"		
	BC-54706-16-01	G 1" BSPP (L.H.)	(22.1)	(22)	(139)	(82)	(174)		
BC-54707-16-01	M35 X 1.5 (R.H.)	1.12"	1.00"	5.46"	3.25"	6.87"			
BC-54708-16-01	M35 X 1.5 (L.H.)	(28.4)	(25.4)	(139)	(82)	(174)			
1 1/4"	BC-54701-20-01	1 1/4" NPT (R.H.)	1.13"	1.25"	6.01"	3.56"	7.67"	1 1/4"	1"
	BC-54702-20-01	1 1/4" NPT (L.H.)	(28.7)	(31.7)	(153)	(90)	(195)		
	BC-54703-20-01	1 3/4" - 12 UN (R.H.)	1.13"	1.25"	6.01"	3.56"	7.67"		
	BC-54704-20-01	1 3/4" - 12 UN (L.H.)	(28.7)	(31.7)	(153)	(90)	(195)		
	BC-54705-20-01	G 1 1/4" BSPP (R.H.)	1.13"	1.25"	6.01"	3.56"	7.67"		
BC-54706-20-01	G 1 1/4" BSPP (L.H.)	(28.7)	(31.7)	(153)	(90)	(195)			
1 1/2"	BC-54701-24-01	1 1/2" NPT (R.H.)	1.13"	1.50"	6.54"	3.64"	8.07"	1 1/2"	1 1/4"
	BC-54702-24-01	1 1/2" NPT (L.H.)	(28.7)	(38.1)	(166)	(92)	(205)		
	BC-54703-24-01	2" - 12 UN (R.H.)	1.06"	1.50"	6.48"	3.64"	8.01"		
	BC-54704-24-01	2" - 12 UN (L.H.)	(26.9)	(38.1)	(164)	(92)	(203)		
	BC-54705-24-01	G 1 1/2" BSPP (R.H.)	1.14"	1.38"	6.48"	3.64"	8.01"		
	BC-54706-24-01	G 1 1/2" BSPP (L.H.)	(28.9)	(35.1)	(164)	(92)	(203)		
BC-54707-24-01	M50 X 1.5 (R.H.)	.87"	1.50"	6.54"	3.64"	7.96"			
BC-54708-24-01	M50 X 1.5 (L.H.)	(22.1)	(38.1)	(166)	(92)	(202)			
2"	BC-54701-32-01	2" NPT (R.H.)	1.19"	1.75"	7.66"	4.62"	9.97"	2"	1 1/4"
	BC-54702-32-01	2" NPT (L.H.)	(30.2)	(44.4)	(195)	(117)	(253)		

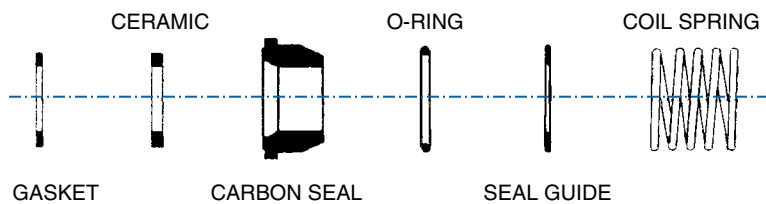
*Special threads available. Contact Barco.

Air Rotary Union



Repair Kits

Union size	Part number
3/8"	10-69539-01
1/2"	10-69540-01
3/4"	10-69545-01
1"	10-69607-01
1 1/4"	10-69548-01
1 1/2"	10-69550-01
2"	10-69551-01



Standard gasket and o-ring material is HNBR.
Other materials available on request. Contact Barco

Serving Industries with the Highest Quality Rotary Unions and Swivel Joints Since 1908

Barco's engineered products meet a wide variety of applications requiring various sizes, pressures, speeds and temperatures and handle a broad range of media.



E-75 RS Plus! & E-75 RSX Plus! *Water Rotary Union*

The Barco E-75 RS *Plus!* Rotary Union incorporates state-of-the-art sealing technology for use on water applications. This product is primarily used in the printing, paper, rubber, plastics and steel processing industries.

Capable of handling pressures up to 150 PSI (10,3 BAR) & temperatures up to 300°F (+150°C). A wide range of sizes are available.



1/8" E-1 *Air and Hydraulic Rotary Union*

The Barco E-1 Rotary Union is a dependable, economical connection for many air and hydraulic applications, where speeds do not exceed 3500 RPM.

Capable of handling hydraulic pressures up to 1000 PSI (70 BAR) in non-shock applications and 150 PSI (10,3 BAR) in pneumatic use.

Barco
International Headquarters
1100 Alexander Court
Cary, IL 60013-1892
Phone: (847) 516-0900
Fax: (847) 516-5590



A DIVISION OF MARISON INDUSTRIES

www.barcoseals.com
email: info@barcoseals.com