

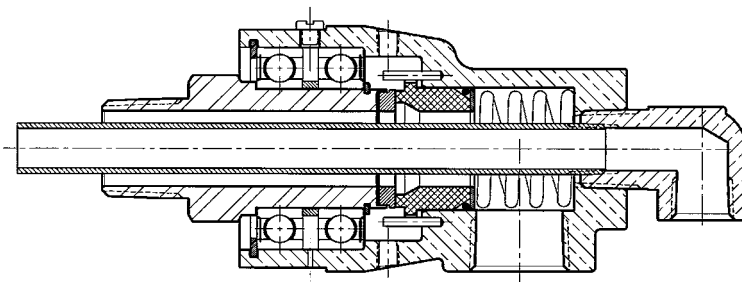
Duo-Flow Syphon Elbows

ROTARY SYPHON ELBOWS

Style A Threaded Stationary Syphon Elbow

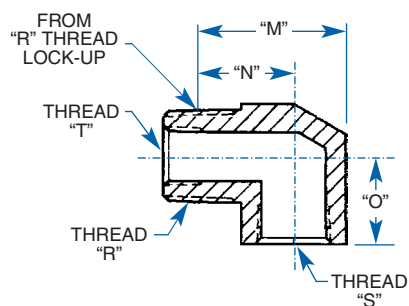
Style B Brazed Stationary Syphon Elbow

Style C Rotating Pipe or Tube Syphon Elbow



Style A

For Threaded Stationary Supply Pipe

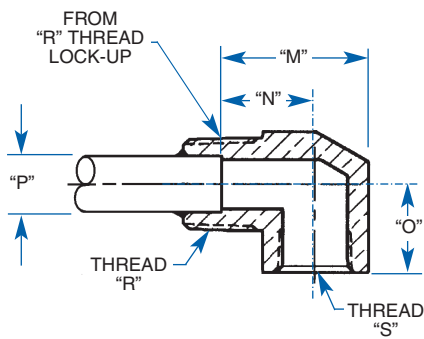


Threaded Stationary Syphon Elbow

Union Size	Part Number	"M"	"N"	"O"	"R" NPT	"S" NPT	Thread "T" NPT
1/2"	01-67064-23*	1.09" (28)	.65" (17)	.50" (13)	3/8"	3/8"	1/8"
3/4"	01-31260-00	1.45" (37)	.86" (22)	1.05" (27)	1/2"	1/2"	1/8"
	01-31261-00*						1/4"
1"	01-67263-23	1.66" (42)	1.07" (27)	.94" (24)	3/4"	1/2"	1/4"
	01-63771-23*						3/8"
1 1/4"	01-62257-23*	1.90" (48)	1.21" (31)	1.25" (32)	1"	3/4"	1/2"
1 1/2"	10-69555-00	2.59" (66)	1.72" (44)	1.62" (41)	1 1/4"	1"	1/2"
	10-65690-00*	2.57" (65)	1.70" (43)				3/4"
2"	10-65690-00	2.57" (65)	1.70" (43)	1.62" (41)	1 1/4"	1"	3/4"
	01-65763-23*	2.46" (62)	1.59" (40)				1"

Style B

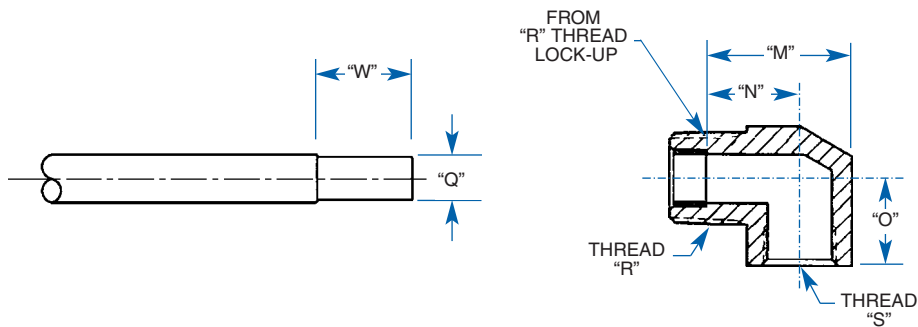
For Brazed Stationary Supply



Brazed Stationary Syphon Elbow

Union Size	Part Number	"M"	"N"	"O"	Tube Dia. "P"	"R" NPT	"S" NPT
3/8"	01-62414-23*	.93" (24)	.52" (13)	.45" (11)	Ø.25" (6.4)	1/4"	1/4"
1/2"	01-65760-23*	1.09" (28)	.65" (17)	.50" (13)	Ø.38" (9.7)	3/8"	3/8"
3/4"	01-64167-23	1.45" (37)	.86" (22)	1.05" (27)	Ø.44" (11.2)	1/2"	1/2"
	01-65562-23				Ø.38" (9.7)		
	01-66067-23*				Ø.50" (12.7)		
1"	01-64357-23*	1.66" (42)	1.07" (27)	.94" (24)	Ø.63" (16)	3/4"	1/2"
1 1/4"	01-67266-23*	1.90" (48)	1.21" (31)	1.25" (32)	Ø.75" (19)	1"	3/4"
1 1/2"	01-69557-23	2.69" (68)	1.81" (46)	1.62" (41)	Ø.75" (19)	1 1/4"	1"
	01-67272-23*				Ø1.00" (25.4)		
2"	01-67272-23	2.69" (68)	1.81" (46)	1.62" (41)	Ø1.00" (25.4)	1 1/4"	1"
	01-67273-23*	2.64" (67)	1.77" (45)		Ø1.25" (31.8)		

Rotating Duo-Flow Elbows



Syphon Pipe

Syphon Pipe End Detail

Rotating Syphon Elbow

Style C

Rotary Supply Pipe/Tube

Union Size	Part Number	"M"	"N"	"O"	Pipe Size	Turned Pipe Dia. "Q"	"R" NPT	"S" NPT	"W"
1/2"	01-69236-23*	1.09" (28)	.65" (17)	.50" (13)	1/8"	.372" (9.45) .371" (9.42)	3/8"	3/8"	1.13" (28)
3/4"	01-67259-23*	1.45" (37)	.86" (22)	1.05" (27)	1/4"	.497" (12.62) .496" (12.60)	1/2"	1/2"	1.13" (28)
1"	01-67264-23*	1.66" (42)	1.07" (27)	.94" (24)	3/8"	.622" (15.80) .621" (15.77)	3/4"	1/2"	1.25" (32)
1 1/4"	01-66857-23*	1.90" (48)	1.21" (31)	1.25" (32)	1/2"	.810" (20.57) .808" (20.52)	1"	3/4"	1.50" (38)
1 1/2"	01-69556-23	2.31" (59)	1.44" (37)	1.62" (41)	1/2"	.810" (20.57) .808" (20.52)	1 1/4"	1"	1.50" (38)
	01-69584-23*	2.12" (54)	1.25" (32)		3/4"	.997" (25.32) .995" (25.27)			
2"	01-69584-23	2.12" (54)	1.25" (32)	1.62" (41)	3/4"	.997" (25.32) .995" (25.27)	1 1/4"	1"	2.00" (51)
	01-69585-23*	2.06" (52)	1.19" (30)		1"	1.247" (31.67) 1.245" (31.62)			

* These Duo-flow elbows provide the maximum flow rate available for the size rotary union and elbow size.

Barco has several different syphon elbow combinations available, please contact Barco to discuss your specific needs.

Barco
International Headquarters
 1100 Alexander Court
 Cary, IL 60013-1892
 Phone: (847) 516-0900
 Fax: (847) 516-5590



A DIVISION OF MARISON INDUSTRIES