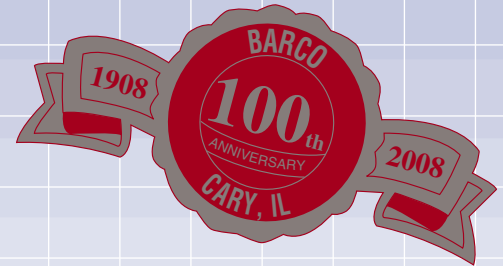


BARCO SERIES E-75 RS

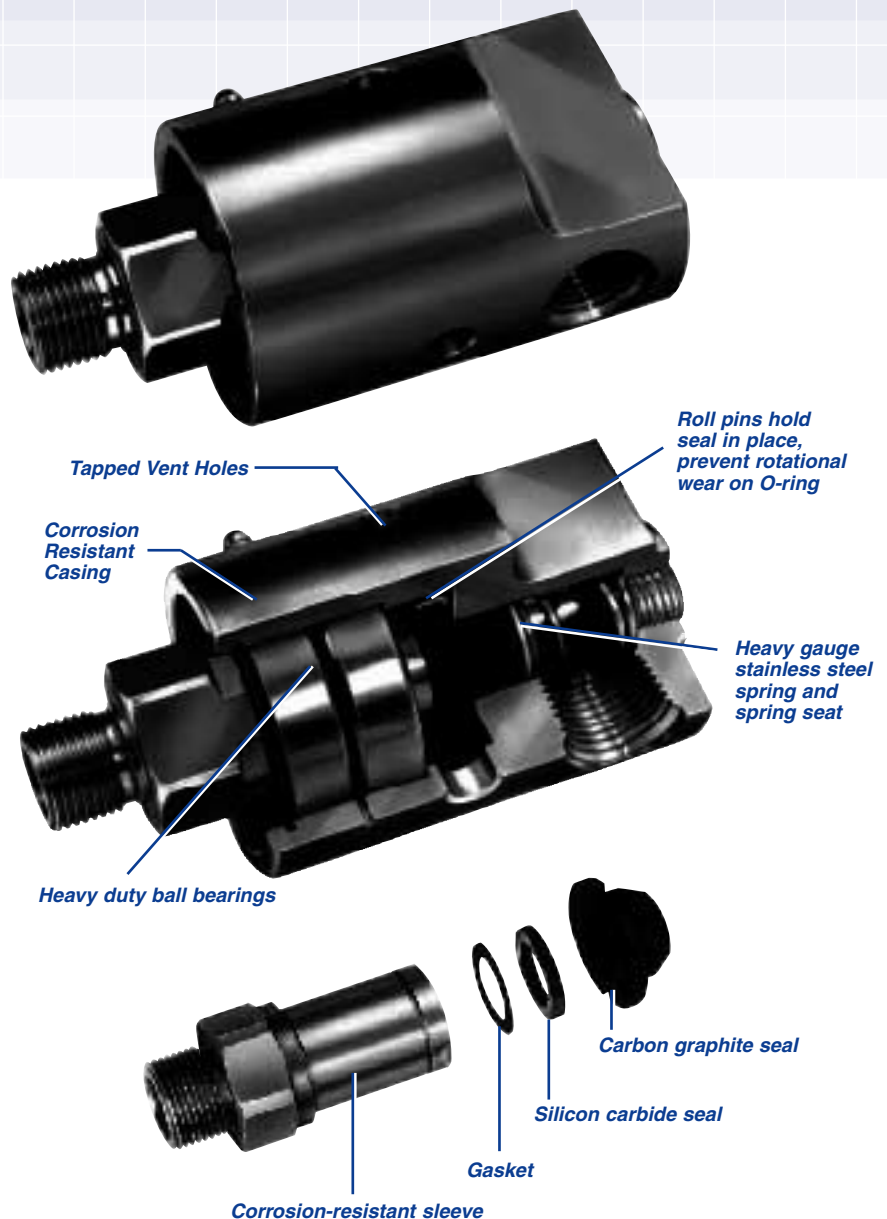
Water Rotary Unions



Special Design Features

- **Dry run capability.**
- **Silicon carbide to carbon graphite mechanical seals.**
- **For abrasive applications, the E-75 RSX with silicon carbide to siliconized graphite mechanical seals is available.**
- **Available in Mono-Flow and Duo-Flow configurations.**
- **Seals are user replaceable.**
- **Sizes from 3/8" to 2".**
- **Available in U.S. and metric thread specifications.**

The Barco E-75 RS Rotary Union incorporates state-of-the-art sealing technology for use on water applications. This product is primarily used in the printing, paper, rubber, plastics and steel processing industries.



Operating Data

Max. Pressure
 150 PSI 10.3 BAR

Temperature
 +300°F (+149°C)

For higher temperature fluids, contact Barco Engineering.

Max. Speed

3/8" - 3,500 RPM	1 1/4" - 2,500 RPM
1/2" - 3,500 RPM	1 1/2" - 2,500 RPM
3/4" - 3,500 RPM	2" - 750 RPM
1" - 3,000 RPM	

Mono-Flow Unions

E-75 RS Silicon carbide to carbon graphite mechanical seals.

Union Size	E-75 RS Part Number	Thread "A"	B	ØC	D	E	ØF	L	"P" NPT	"R" NPT
3/8"	BC-32000-06-01	5/8" - 18 UNF R.H.	.50"	.38"	3.32"	.91"	1.81"	3.99"	3/8"	1/4"
	BC-32001-06-01	5/8" - 18 UNF L.H.	(12.7)	(9.6)	(84)	(23)	(46)	(101)		
	BC-32002-06-01	3/8" - 18 NPT R.H.	.56"	.38"	3.32"	.91"	1.81"	3.99"		
	BC-32003-06-01	3/8" - 18 NPT L.H.	(14.2)	(9.6)	(84)	(23)	(46)	(101)		
	BC-32100-06-01	G 3/8" BSPP R.H.	.56"	.38"	3.32"	.91"	1.81"	3.99"		
	BC-32101-06-01	G 3/8" BSPP L.H.	(14.2)	(9.6)	(84)	(23)	(46)	(101)		
1/2"	BC-32000-08-01	3/4" - 16 UNF R.H.	.69"	.50"	3.90"	1.13"	2.25"	4.69"	1/2"	3/8"
	BC-32001-08-01	3/4" - 16 UNF L.H.	(17.5)	(12.7)	(99)	(29)	(57)	(119)		
	BC-32002-08-01	1/2" NPT R.H.	1.00"	.50"	4.19"	1.13"	2.25"	4.98"		
	BC-32003-08-01	1/2" NPT L.H.	(25.4)	(12.7)	(106)	(29)	(57)	(126)		
	BC-32100-08-01	G 1/2" BSPP R.H.	.75"	.50"	3.96"	1.13"	2.25"	4.75"		
	BC-32101-08-01	G 1/2" BSPP L.H.	(19.1)	(12.7)	(101)	(29)	(57)	(121)		
	BC-32162-08-01	M22 X 1.5 R.H.	.62"	.50"	3.83"	1.13"	2.25"	4.62"		
BC-32163-08-01	M22 X 1.5 L.H.	(15.7)	(12.7)	(97)	(29)	(57)	(117)			
3/4"	BC-32000-12-01	1" - 14 UNS R.H.	.69"	.66"	4.44"	1.27"	2.60"	5.44"	3/4"	1/2"
	BC-32001-12-01	1" - 14 UNS L.H.	(17.5)	(16.7)	(113)	(32)	(66)	(138)		
	BC-32002-12-01	3/4" NPT R.H.	1.00"	.66"	4.75"	1.27"	2.60"	5.75"		
	BC-32003-12-01	3/4" NPT L.H.	(25.4)	(16.7)	(121)	(32)	(66)	(146)		
	BC-32100-12-01	G 3/4" BSPP R.H.	.75"	.66"	4.50"	1.27"	2.60"	5.50"		
	BC-32101-12-01	G 3/4" BSPP L.H.	(19.1)	(16.7)	(114)	(32)	(66)	(140)		
	BC-32162-12-01	M35 X 1.5 R.H.	.62"	.66"	5.01"	1.27"	2.60"	6.01"		
BC-32163-12-01	M35 X 1.5 L.H.	(15.7)	(16.7)	(127)	(32)	(66)	(152)			
1"	BC-32025-16-01	1" NPT R.H.	1.12"	1.00"	5.46"	1.62"	3.25"	6.89"	1"	3/4"
	BC-32026-16-01	1" NPT L.H.	(28.4)	(25.4)	(139)	(41)	(82)	(175)		
	BC-32034-16-01	1 1/2" - 12 UNF R.H.	1.12"	1.00"	5.46"	1.62"	3.25"	6.89"		
	BC-32035-16-01	1 1/2" - 12 UNF L.H.	(28.4)	(25.4)	(139)	(41)	(82)	(175)		
	BC-32100-16-01	G 1" BSPP R.H.	.87"	1.00"	5.46"	1.62"	3.25"	6.89"		
	BC-32101-16-01	G 1" BSPP L.H.	(22.1)	(25.4)	(139)	(41)	(82)	(175)		
	BC-32162-16-01	M35 X 1.5 R.H.	1.12"	1.00"	5.46"	1.62"	3.25"	6.89"		
BC-32163-16-01	M35 X 1.5 L.H.	(28.4)	(25.4)	(139)	(41)	(82)	(175)			
1 1/4"	BC-32000-20-01	1 3/4" - 12 UN R.H.	1.13"	1.25"	6.00"	1.78"	3.56"	7.69"	1 1/4"	1"
	BC-32001-20-01	1 3/4" - 12 UN L.H.	(28.7)	(31.7)	(152)	(45)	(90)	(195)		
	BC-32002-20-01	1 1/4" NPT R.H.	1.13"	1.25"	6.00"	1.78"	3.56"	7.69"		
	BC-32003-20-01	1 1/4" NPT L.H.	(28.7)	(31.7)	(152)	(45)	(90)	(195)		
	BC-32100-20-01	G 1 1/4" BSPP R.H.	1.13"	1.25"	6.00"	1.78"	3.56"	7.69"		
	BC-32101-20-01	G 1 1/4" BSPP L.H.	(28.7)	(31.7)	(152)	(45)	(90)	(195)		
1 1/2"	BC-32000-24-01	2" - 12 UN R.H.	1.06"	1.50"	6.48"	1.84"	3.68"	8.01"	1 1/2"	1 1/4"
	BC-32001-24-01	2" - 12 UN L.H.	(26.9)	(38.1)	(164)	(47)	(93)	(203)		
	BC-32002-24-01	1 1/2" NPT R.H.	1.13"	1.50"	6.54"	1.84"	3.68"	8.07"		
	BC-32003-24-01	1 1/2" NPT L.H.	(28.7)	(38.1)	(166)	(47)	(93)	(205)		
	BC-32100-24-01	G 1 1/2" BSPP R.H.	1.14"	1.38"	6.48"	1.84"	3.68"	8.01"		
	BC-32101-24-01	G 1 1/2" BSPP L.H.	(28.9)	(35.1)	(164)	(47)	(93)	(203)		
	BC-32172-24-01	M50 X 1.5 R.H.	.87"	1.50"	6.54"	1.84"	3.68"	8.07"		
BC-32173-24-01	M50 X 1.5 L.H.	(22.1)	(38.1)	(166)	(47)	(93)	(205)			
2"	BC-32002-32-01	2" NPT R.H.	1.19"	1.75"	7.73"	2.31"	4.62"	9.97"	2"	1 1/4"
	BC-32003-32-01	2" NPT L.H.	(30.2)	(44.4)	(196)	(59)	(117)	(253)		

Special threads available. Contact Barco.

Duo-Flow NPT Stationary Syphon Unions

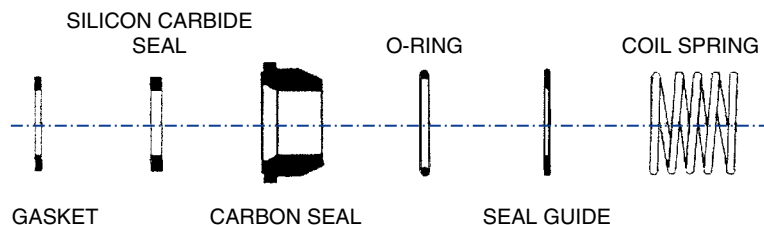
Elbows designed for maximum flow rate.

Several duo-flow elbow options are available. Refer to Bulletin INS 3100, or contact Barco for more information.

Union Size	E-75 RS Part Number	Thread "A"	B	ØC	D	E	ØF	L	"P" NPT	"S" NPT	"T" NPT	"Y" Pipe Length Into Union
1/2"	BC-32004-08-01	3/4" - 16 UNF R.H.	.69"	.50"	3.90"	1.13"	2.25"	4.69"	1/2"	3/8"	1/8"	4.55"
	BC-32005-08-01	3/4" - 16 UNF L.H.	(17.5)	(12.7)	(99)	(29)	(57)	(119)				(116)
	BC-32006-08-01	1/2" NPT R.H.	1.00"	.50"	4.19"	1.13"	2.25"	4.98"				4.84"
	BC-32007-08-01	1/2" NPT L.H.	(25.4)	(12.7)	(106)	(29)	(57)	(126)				(123)
	BC-32098-08-01	G 1/2" BSPP R.H.	.75"	.50"	3.96"	1.13"	2.25"	4.75"				4.61"
	BC-32099-08-01	G 1/2" BSPP L.H.	(19.1)	(12.7)	(101)	(29)	(57)	(121)				(117)
3/4"	BC-32004-12-01	1" - 14 UNS R.H.	.69"	.66"	4.44"	1.27"	2.60"	5.44"	3/4"	1/2"	1/4"	5.30"
	BC-32005-12-01	1" - 14 UNS L.H.	(17.5)	(16.7)	(113)	(32)	(66)	(138)				(135)
	BC-32006-12-01	3/4" NPT R.H.	1.00"	.66"	4.75"	1.27"	2.60"	5.75"				5.61"
	BC-32007-12-01	3/4" NPT L.H.	(25.4)	(16.7)	(121)	(32)	(66)	(146)				(142)
	BC-32098-12-01	G 3/4" BSPP R.H.	.75"	.66"	4.50"	1.27"	2.60"	5.50"				5.36"
	BC-32099-12-01	G 3/4" BSPP L.H.	(19.1)	(16.7)	(114)	(32)	(66)	(140)				(136)
1"	BC-32032-16-01	1 1/2" - 12 UNF R.H.	1.12"	1.00"	5.46"	1.62"	3.25"	6.89"	1"	1/2"	3/8"	6.72"
	BC-32033-16-01	1 1/2" - 12 UNF L.H.	(28.4)	(25.4)	(139)	(41)	(82)	(175)				(171)
	BC-32027-16-01	1" NPT R.H.	1.12"	1.00"	5.46"	1.62"	3.25"	6.89"				6.72"
	BC-32028-16-01	1" NPT L.H.	(28.4)	(25.4)	(139)	(41)	(82)	(175)				(171)
	BC-32098-16-01	1" BSPP R.H.	.87"	1.00"	5.46"	1.62"	3.25"	6.89"				6.72"
	BC-32099-16-01	1" BSPP L.H.	(22.1)	(25.4)	(139)	(41)	(82)	(175)				(171)
1 1/4"	BC-32411-20-01	1 3/4" - 12 UN R.H.	1.13"	1.25"	6.00"	1.78"	3.56"	7.69"	1 1/4"	3/4"	1/2"	7.54"
	BC-32412-20-01	1 3/4" - 12 UN L.H.	(28.7)	(31.7)	(152)	(45)	(90)	(195)				(192)
	BC-32008-20-01	1 1/4" NPT R.H.	1.13"	1.25"	6.00"	1.78"	3.56"	7.69"				7.54"
	BC-32009-20-01	1 1/4" NPT L.H.	(28.7)	(31.7)	(152)	(45)	(90)	(195)				(192)
	BC-32496-20-01	G 1 1/4" BSPP R.H.	1.13"	1.25"	6.00"	1.78"	3.56"	7.69"				7.54"
	BC-32497-20-01	G 1 1/4" BSPP L.H.	(28.7)	(31.7)	(152)	(45)	(90)	(195)				(192)
1 1/2"	BC-32004-24-01	2" - 12 UN R.H.	1.06"	1.50"	6.48"	1.84"	3.68"	8.01"	1 1/2"	1"	3/4"	7.90"
	BC-32005-24-01	2" - 12 UN L.H.	(26.9)	(38.1)	(164)	(47)	(93)	(203)				(201)
	BC-32006-24-01	1 1/2" NPT R.H.	1.13"	1.50"	6.54"	1.84"	3.68"	8.07"				7.96"
	BC-32007-24-01	1 1/2" NPT L.H.	(28.7)	(38.1)	(166)	(47)	(93)	(205)				(202)
	BC-32098-24-01	G 1 1/2" BSPP R.H.	1.14"	1.38"	6.48"	1.84"	3.68"	8.01"				7.90"
	BC-32099-24-01	G 1 1/2" BSPP L.H.	(28.9)	(35.1)	(164)	(47)	(93)	(203)				(201)
2"	BC-32006-32-01	2" NPT R.H.	1.19"	1.75"	7.66"	2.31"	4.62"	9.95"	2"	1"	1"	9.98"
	BC-32007-32-01	2" NPT L.H.	(30.2)	(44.4)	(195)	(59)	(117)	(253)				(253)
	BC-32098-32-01	G 2" BSPP R.H.	1.14"	1.75"	7.66"	2.31"	4.62"	9.95"				9.98"
	BC-32099-32-01	G 2" BSPP L.H.	(28.9)	(44.4)	(195)	(59)	(117)	(253)				(253)

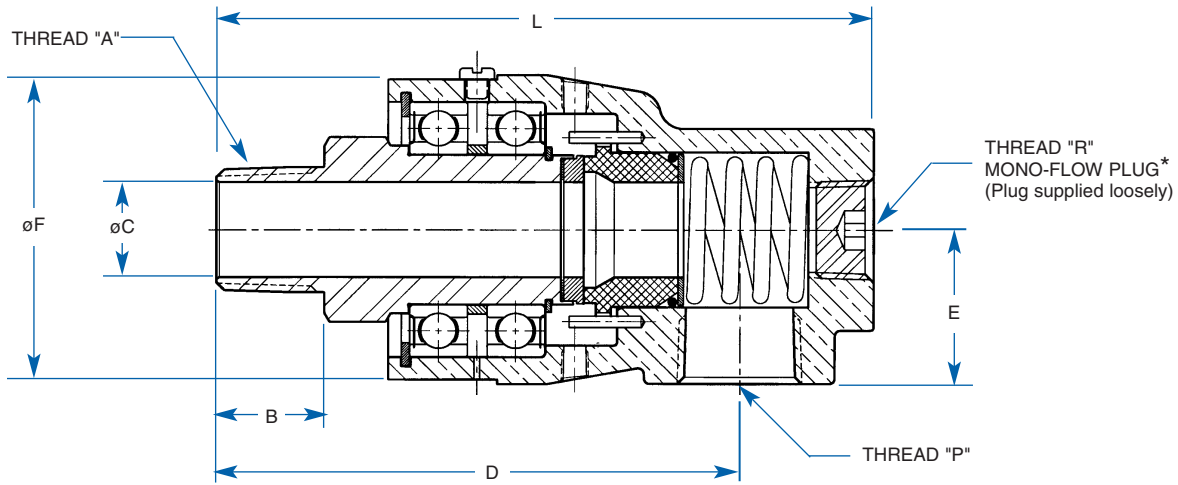
Repair Kits for both Mono-Flow and Duo-Flow

Union size	Part number
3/8"	10-67175-XX
1/2"	10-67176-XX
3/4"	10-67177-XX
1"	10-67178-XX
1 1/4"	10-67625-XX
1 1/2"	10-67293-XX
2"	10-67294-XX



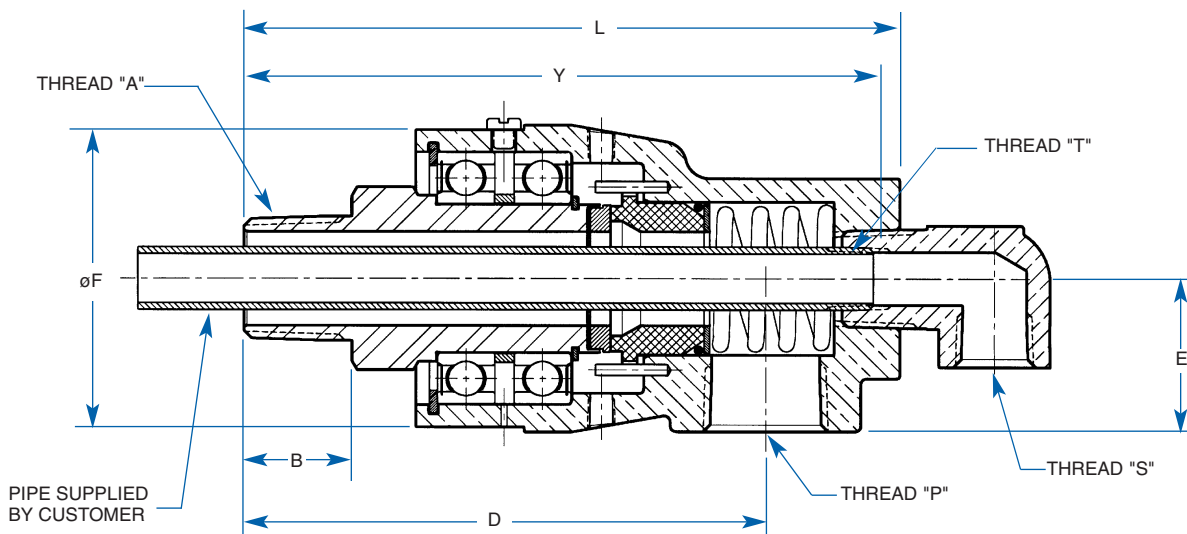
-XX Elastomer Suffix, Specify: -01 = HNBR (Standard), -04 = EPR (Special), -06 = Viton (Special).

Mono-Flow Water Rotary Union



*Seal & tighten plug, or install duo-flow elbow as required before use.

Duo-Flow Water Rotary Union



Barco International
 1100 Alexander Court
 Cary, IL 60013-1892
 Phone: (847) 516-0900
 Fax: (847) 516-5590



A DIVISION OF MARISON INDUSTRIES

www.barcoseals.com
 email: info@barcoseals.com

Specifications subject to change without notice.
 Barco products are protected by patents internationally.
 Copyright ©2009 Barco Division Marison Industries, Inc.

Printed in USA 06/09

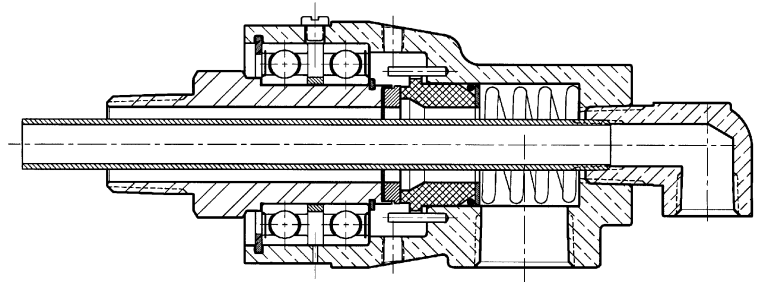
Duo-Flow Syphon Elbows

ROTARY SYPHON ELBOWS

Style A Threaded Stationary Syphon Elbow

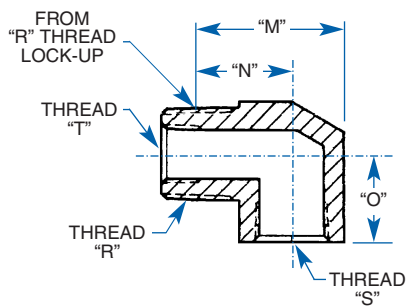
Style B Brazed Stationary Syphon Elbow

Style C Rotating Pipe or Tube Syphon Elbow



Style A

For Threaded Stationary Supply Pipe

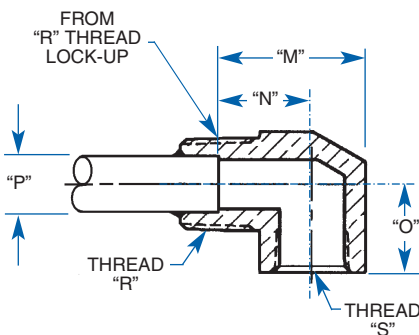


Threaded Stationary Syphon Elbow

Union Size	Part Number	"M"	"N"	"O"	"R" NPT	"S" NPT	Thread "T" NPT
1/2"	01-67064-23*	1.09" (28)	.65" (17)	.50" (13)	3/8"	3/8"	1/8"
3/4"	01-31260-00	1.45" (37)	.86" (22)	1.05" (27)	1/2"	1/2"	1/8"
	01-31261-00*						1/4"
1"	01-67263-23	1.66" (42)	1.07" (27)	.94" (24)	3/4"	1/2"	1/4"
	01-63771-23*						3/8"
1 1/4"	01-62257-23*	1.90" (48)	1.21" (31)	1.25" (32)	1"	3/4"	1/2"
1 1/2"	01-69555-23	2.59" (66)	1.72" (44)	1.62" (41)	1 1/4"	1"	1/2"
	01-65690-23*	2.57" (65)	1.70" (43)				3/4"
2"	01-65690-23	2.57" (65)	1.70" (43)	1.62" (41)	1 1/4"	1"	3/4"
	01-65763-23*	2.46" (62)	1.59" (40)				1"

Style B

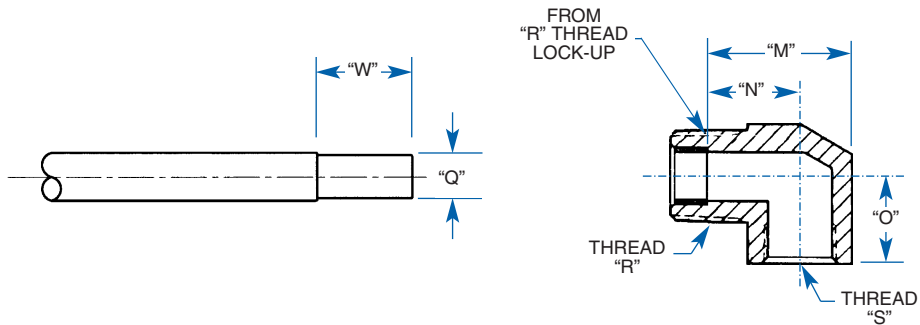
For Brazed Stationary Supply



Brazed Stationary Syphon Elbow

Union Size	Part Number	"M"	"N"	"O"	Tube Dia. "P"	"R" NPT	"S" NPT
3/8"	01-62414-23*	.93" (24)	.52" (13)	.45" (11)	Ø.25" (6.4)	1/4"	1/4"
1/2"	01-65760-23*	1.09" (28)	.65" (17)	.50" (13)	Ø.38" (9.7)	3/8"	3/8"
3/4"	01-64167-23	1.45" (37)	.86" (22)	1.05" (27)	Ø.44" (11.2)	1/2"	1/2"
	01-65562-23				Ø.38" (9.7)		
	01-66067-23*				Ø.50" (12.7)		
1"	01-64357-23*	1.66" (42)	1.07" (27)	.94" (24)	Ø.63" (16)	3/4"	1/2"
1 1/4"	01-67266-23*	1.90" (48)	1.21" (31)	1.25" (32)	Ø.75" (19)	1"	3/4"
1 1/2"	01-69557-23	2.69" (68)	1.81" (46)	1.62" (41)	Ø.75" (19)	1 1/4"	1"
	01-67272-23*				Ø1.00" (25.4)		
2"	01-67272-23	2.69" (68)	1.81" (46)	1.62" (41)	Ø1.00" (25.4)	1 1/4"	1"
	01-67273-23*	2.64" (67)	1.77" (45)		Ø1.25" (31.8)		

Rotating Duo-Flow Elbows



Syphon Pipe

Syphon Pipe End Detail

Rotating Syphon Elbow

Style C

Rotary Supply Pipe/Tube with Teflon® Bushing

Union Size	Part Number	"M"	"N"	"O"	Pipe Size	Turned Pipe Dia. "Q"	"R" NPT	"S" NPT	"W"
1/2"	10-67150-23*	1.09" (28)	.65" (17)	.50" (13)	1/8"	.372" (9.45) .371" (9.42)	3/8"	3/8"	1.13" (28)
3/4"	10-67259-23*	1.45" (37)	.86" (22)	1.05" (27)	1/4"	.497" (12.62) .496" (12.60)	1/2"	1/2"	1.13" (28)
1"	10-67264-23*	1.66" (42)	1.07" (27)	.94" (24)	3/8"	.622" (15.80) .621" (15.77)	3/4"	1/2"	1.25" (32)
1 1/4"	10-66857-23*	1.90" (48)	1.21" (31)	1.25" (32)	1/2"	.810" (20.57) .808" (20.52)	1"	3/4"	1.50" (38)
1 1/2"	10-69556-23	2.31" (59)	1.44" (37)	1.62" (41)	1/2"	.810" (20.57) .808" (20.52)	1 1/4"	1"	1.50" (38)
	10-66827-00*	2.12" (54)	1.25" (32)		3/4"	.997" (25.32) .995" (25.27)			
2"	10-66827-00	2.12" (54)	1.25" (32)	1.62" (41)	3/4"	.997" (25.32) .995" (25.27)	1 1/4"	1"	2.00" (51)
	10-67271-23*	2.06" (52)	1.19" (30)		1"	1.247" (31.67) 1.245" (31.62)			

* These Duo-flow elbows provide the maximum flow rate available for the size rotary union and elbow size.

Barco has several different syphon elbow combinations available, please contact Barco to discuss your specific needs.

Barco International
1100 Alexander Court
Cary, IL 60013-1892
Phone: (847) 516-0900
Fax: (847) 516-5590



A DIVISION OF MARISON INDUSTRIES