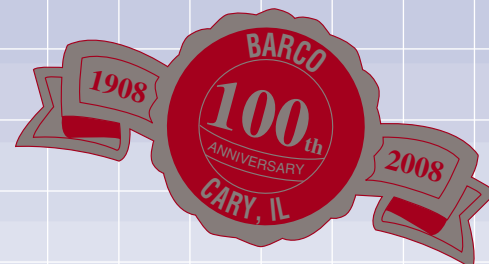


BARCO SERIES **E-75 RSX**

# Water Rotary Unions

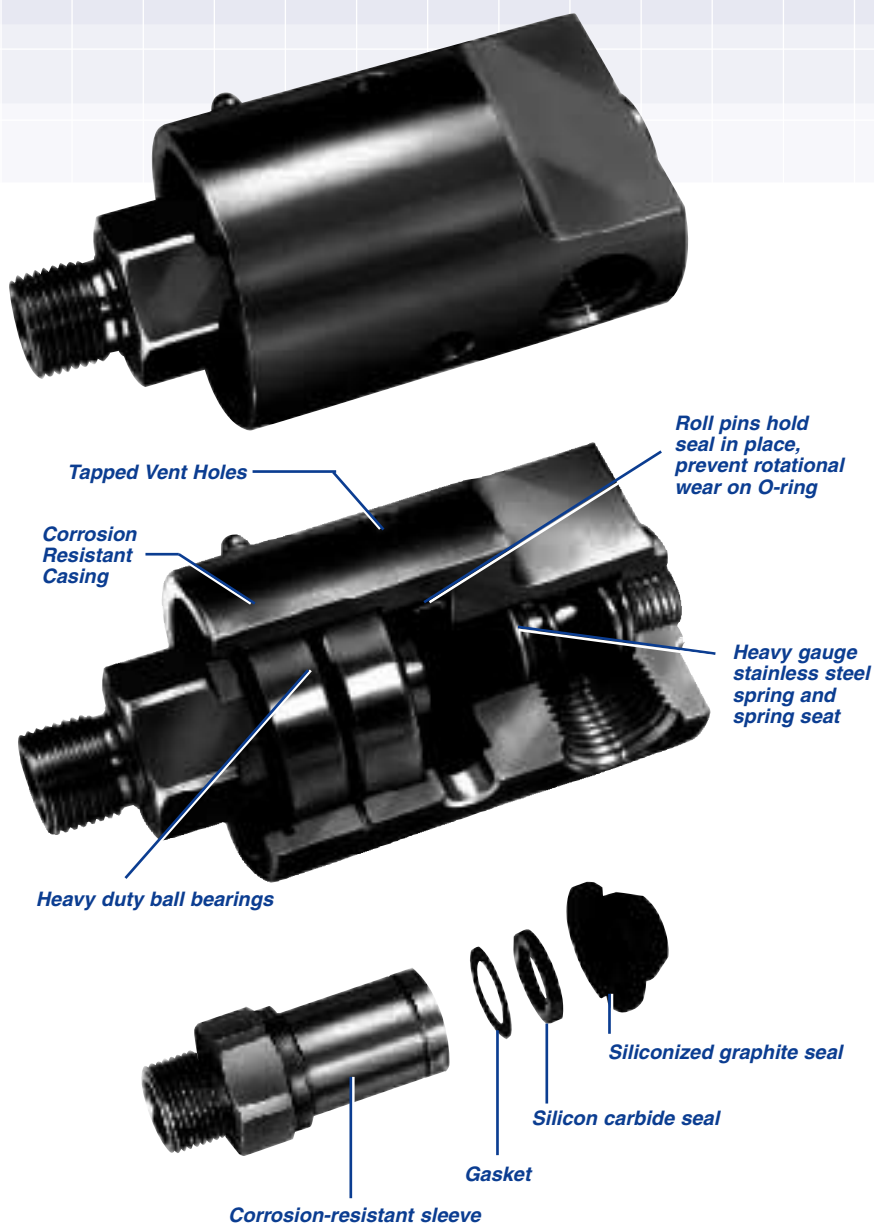
For abrasive applications



## Special Design Features

- Silicon carbide to siliconized graphite mechanical seals.
- The most wear resistant seals for abrasive applications.
- Available in Mono-Flow and Duo-Flow configurations.
- Seals are user replaceable.
- Sizes from 3/8" to 2".
- Available in U.S. and metric thread specifications.

The Barco E-75 RSX Rotary Union features the most wear resistant seal available. Specifically designed for abrasive slurries or unfiltered water systems, the E-75 RSX will perform where other unions fail.



### Operating Data

**Max. Pressure**

150 PSI      10.3 BAR

**Temperature**

+300°F      (+149°C)

For higher temperature fluids, contact Barco Engineering.

**DO NOT RUN DRY**

**Max. Speed**

3/8" - 3,500 RPM	1 1/4" - 2,500 RPM
1/2" - 3,500 RPM	1 1/2" - 2,500 RPM
3/4" - 3,500 RPM	2" - 750 RPM
1" - 3,000 RPM	

For abrasive applications

**Mono-Flow Unions**

E-75 RSX for abrasive applications, silicon carbide to siliconized graphite mechanical seals.

Union Size	E-75 RSX Part Number	Thread "A"	B	ØC	D	E	ØF	L	"P" NPT	"R" NPT
3/8"	BC-33000-06-01	5/8" - 18 UNF R.H.	.50"	.38"	3.32"	.91"	1.81"	3.99"	3/8"	1/4"
	BC-33001-06-01	5/8" - 18 UNF L.H.	(12.7)	(9.6)	(84)	(23)	(46)	(101)		
	BC-33002-06-01	3/8" - 18 NPT R.H.	.56"	.38"	3.32"	.91"	1.81"	3.99"		
	BC-33003-06-01	3/8" - 18 NPT L.H.	(14.2)	(9.6)	(84)	(23)	(46)	(101)		
	BC-33100-06-01	G 3/8" BSPP R.H.	.56"	.38"	3.32"	.91"	1.81"	3.99"		
	BC-33101-06-01	G 3/8" BSPP L.H.	(14.2)	(9.6)	(84)	(23)	(46)	(101)		
1/2"	BC-33000-08-01	3/4" - 16 UNF R.H.	.69"	.50"	3.90"	1.13"	2.25"	4.69"	1/2"	3/8"
	BC-33001-08-01	3/4" - 16 UNF L.H.	(17.5)	(12.7)	(99)	(29)	(57)	(119)		
	BC-33002-08-01	1/2" NPT R.H.	1.00"	.50"	4.19"	1.13"	2.25"	4.98"		
	BC-33003-08-01	1/2" NPT L.H.	(25.4)	(12.7)	(106)	(29)	(57)	(126)		
	BC-33100-08-01	G 1/2" BSPP R.H.	.75"	.50"	3.96"	1.13"	2.25"	4.75"		
	BC-33101-08-01	G 1/2" BSPP L.H.	(19.1)	(12.7)	(101)	(29)	(57)	(121)		
	BC-33162-08-01	M22 X 1.5 R.H.	.62"	.50"	3.83"	1.13"	2.25"	4.62"		
BC-33163-08-01	M22 X 1.5 L.H.	(15.7)	(12.7)	(97)	(29)	(57)	(117)			
3/4"	BC-33000-12-01	1" - 14 UNS R.H.	.69"	.66"	4.44"	1.27"	2.60"	5.44"	3/4"	1/2"
	BC-33001-12-01	1" - 14 UNS L.H.	(17.5)	(16.7)	(113)	(32)	(66)	(138)		
	BC-33002-12-01	3/4" NPT R.H.	1.00"	.66"	4.75"	1.27"	2.60"	5.75"		
	BC-33003-12-01	3/4" NPT L.H.	(25.4)	(16.7)	(121)	(32)	(66)	(146)		
	BC-33100-12-01	G 3/4" BSPP R.H.	.75"	.66"	4.50"	1.27"	2.60"	5.50"		
	BC-33101-12-01	G 3/4" BSPP L.H.	(19.1)	(16.7)	(114)	(32)	(66)	(140)		
	BC-33162-12-01	M35 X 1.5 R.H.	.62"	.66"	5.01"	1.27"	2.60"	6.01"		
BC-33163-12-01	M35 X 1.5 L.H.	(15.7)	(16.7)	(127)	(32)	(66)	(152)			
1"	BC-33025-16-01	1" NPT R.H.	1.12"	1.00"	5.46"	1.62"	3.25"	6.89"	1"	3/4"
	BC-33026-16-01	1" NPT L.H.	(28.4)	(25.4)	(139)	(41)	(82)	(175)		
	BC-33034-16-01	1 1/2" - 12 UNF R.H.	1.12"	1.00"	5.46"	1.62"	3.25"	6.89"		
	BC-33035-16-01	1 1/2" - 12 UNF L.H.	(28.4)	(25.4)	(139)	(41)	(82)	(175)		
	BC-33100-16-01	G 1" BSPP R.H.	.87"	1.00"	5.46"	1.62"	3.25"	6.89"		
	BC-33101-16-01	G 1" BSPP L.H.	(22.1)	(25.4)	(139)	(41)	(82)	(175)		
	BC-33162-16-01	M35 X 1.5 R.H.	1.12"	1.00"	5.46"	1.62"	3.25"	6.89"		
BC-33163-16-01	M35 X 1.5 L.H.	(28.4)	(25.4)	(139)	(41)	(82)	(175)			
1 1/4"	BC-33000-20-01	1 3/4" - 12 UN R.H.	1.13"	1.25"	6.00"	1.78"	3.56"	7.69"	1 1/4"	1"
	BC-33001-20-01	1 3/4" - 12 UN L.H.	(28.7)	(31.7)	(152)	(45)	(90)	(195)		
	BC-33002-20-01	1 1/4" NPT R.H.	1.13"	1.25"	6.00"	1.78"	3.56"	7.69"		
	BC-33003-20-01	1 1/4" NPT L.H.	(28.7)	(31.7)	(152)	(45)	(90)	(195)		
	BC-33100-20-01	G 1 1/4" BSPP R.H.	1.13"	1.25"	6.00"	1.78"	3.56"	7.69"		
	BC-33101-20-01	G 1 1/4" BSPP L.H.	(28.7)	(31.7)	(152)	(45)	(90)	(195)		
1 1/2"	BC-33000-24-01	2" - 12 UN R.H.	1.06"	1.50"	6.48"	1.84"	3.68"	8.01"	1 1/2"	1 1/4"
	BC-33001-24-01	2" - 12 UN L.H.	(26.9)	(38.1)	(164)	(47)	(93)	(203)		
	BC-33002-24-01	1 1/2" NPT R.H.	1.13"	1.50"	6.54"	1.84"	3.68"	8.07"		
	BC-33003-24-01	1 1/2" NPT L.H.	(28.7)	(38.1)	(166)	(47)	(93)	(205)		
	BC-33100-24-01	G 1 1/2" BSPP R.H.	1.14"	1.38"	6.48"	1.84"	3.68"	8.01"		
	BC-33101-24-01	G 1 1/2" BSPP L.H.	(28.9)	(35.1)	(164)	(47)	(93)	(203)		
	BC-33172-24-01	M50 X 1.5 R.H.	.87"	1.50"	6.54"	1.84"	3.68"	8.07"		
BC-33173-24-01	M50 X 1.5 L.H.	(22.1)	(38.1)	(166)	(47)	(93)	(205)			
2"	BC-33002-32-01	2" NPT R.H.	1.19"	1.75"	7.73"	2.31"	4.62"	9.97"	2"	1 1/4"
	BC-33003-32-01	2" NPT L.H.	(30.2)	(44.4)	(196)	(59)	(117)	(253)		

Special threads available. Contact Barco.

## Duo-Flow NPT Stationary Syphon Unions

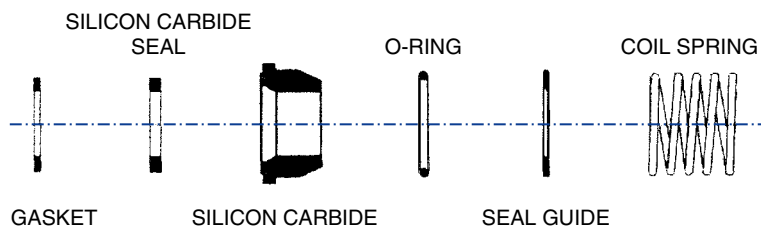
Elbows designed for maximum flow rate.

Several duo-flow elbow options are available. Refer to Bulletin INS 3100, or contact Barco for more information.

Union Size	E-75 RSX Part Number	Thread "A"	B	ØC	D	E	ØF	L	"P" NPT	"S" NPT	"T" NPT	"Y" Pipe Length Into Union
1/2"	BC-33004-08-01	3/4" - 16 UNF R.H.	.69"	.50"	3.90"	1.13"	2.25"	4.69"	1/2"	3/8"	1/8"	4.55"
	BC-33005-08-01	3/4" - 16 UNF L.H.	(17.5)	(12.7)	(99)	(29)	(57)	(119)				4.84"
	BC-33006-08-01	1/2" NPT R.H.	1.00"	.50"	4.19"	1.13"	2.25"	4.98"				4.84"
	BC-33007-08-01	1/2" NPT L.H.	(25.4)	(12.7)	(106)	(29)	(57)	(126)				(123)
	BC-33098-08-01	G 1/2" BSPP R.H.	.75"	.50"	3.96"	1.13"	2.25"	4.75"				4.61"
	BC-33099-08-01	G 1/2" BSPP L.H.	(19.1)	(12.7)	(101)	(29)	(57)	(121)				(117)
3/4"	BC-33004-12-01	1" - 14 UNS R.H.	.69"	.66"	4.44"	1.27"	2.60"	5.44"	3/4"	1/2"	1/4"	5.30"
	BC-33005-12-01	1" - 14 UNS L.H.	(17.5)	(16.7)	(113)	(32)	(66)	(138)				(135)
	BC-33006-12-01	3/4" NPT R.H.	1.00"	.66"	4.75"	1.27"	2.60"	5.75"				5.61"
	BC-33007-12-01	3/4" NPT L.H.	(25.4)	(16.7)	(121)	(32)	(66)	(146)				(142)
	BC-33098-12-01	G 3/4" BSPP R.H.	.75"	.66"	4.50"	1.27"	2.60"	5.50"				5.36"
	BC-33099-12-01	G 3/4" BSPP L.H.	(19.1)	(16.7)	(114)	(32)	(66)	(140)				(136)
1"	BC-33032-16-01	1 1/2" - 12 UNF R.H.	1.12"	1.00"	5.46"	1.62"	3.25"	6.89"	1"	1/2"	3/8"	6.72"
	BC-33033-16-01	1 1/2" - 12 UNF L.H.	(28.4)	(25.4)	(139)	(41)	(82)	(175)				(171)
	BC-33027-16-01	1" NPT R.H.	1.12"	1.00"	5.46"	1.62"	3.25"	6.89"				6.72"
	BC-33028-16-01	1" NPT L.H.	(28.4)	(25.4)	(139)	(41)	(82)	(175)				(171)
	BC-33098-16-01	1" BSPP R.H.	.87"	1.00"	5.46"	1.62"	3.25"	6.89"				6.72"
	BC-33099-16-01	1" BSPP L.H.	(22.1)	(25.4)	(139)	(41)	(82)	(175)				(171)
1 1/4"	BC-33411-20-01	1 3/4" - 12 UN R.H.	1.13"	1.25"	6.00"	1.78"	3.56"	7.69"	1 1/4"	3/4"	1/2"	7.54"
	BC-33412-20-01	1 3/4" - 12 UN L.H.	(28.7)	(31.7)	(152)	(45)	(90)	(195)				(192)
	BC-33008-20-01	1 1/4" NPT R.H.	1.13"	1.25"	6.00"	1.78"	3.56"	7.69"				7.54"
	BC-33009-20-01	1 1/4" NPT L.H.	(28.7)	(31.7)	(152)	(45)	(90)	(195)				(192)
	BC-33496-20-01	G 1 1/4" BSPP R.H.	1.13"	1.25"	6.00"	1.78"	3.56"	7.69"				7.54"
	BC-33497-20-01	G 1 1/4" BSPP L.H.	(28.7)	(31.7)	(152)	(45)	(90)	(195)				(192)
1 1/2"	BC-33004-24-01	2" - 12 UN R.H.	1.06"	1.50"	6.48"	1.84"	3.68"	8.01"	1 1/2"	1"	3/4"	7.90"
	BC-33005-24-01	2" - 12 UN L.H.	(26.9)	(38.1)	(164)	(47)	(93)	(203)				(201)
	BC-33006-24-01	1 1/2" NPT R.H.	1.13"	1.50"	6.54"	1.84"	3.68"	8.07"				7.96"
	BC-33007-24-01	1 1/2" NPT L.H.	(28.7)	(38.1)	(166)	(47)	(93)	(205)				(202)
	BC-33098-24-01	G 1 1/2" BSPP R.H.	1.14"	1.38"	6.48"	1.84"	3.68"	8.01"				7.90"
	BC-33099-24-01	G 1 1/2" BSPP L.H.	(28.9)	(35.1)	(164)	(47)	(93)	(203)				(201)
2"	BC-33006-32-01	2" NPT R.H.	1.19"	1.75"	7.66"	2.31"	4.62"	9.95"	2"	1"	1"	9.98"
	BC-33007-32-01	2" NPT L.H.	(30.2)	(44.4)	(195)	(59)	(117)	(253)				(253)
	BC-33098-32-01	G 2" BSPP R.H.	1.14"	1.75"	7.66"	2.31"	4.62"	9.95"				9.98"
	BC-33099-32-01	G 2" BSPP L.H.	(28.9)	(44.4)	(195)	(59)	(117)	(253)				(253)

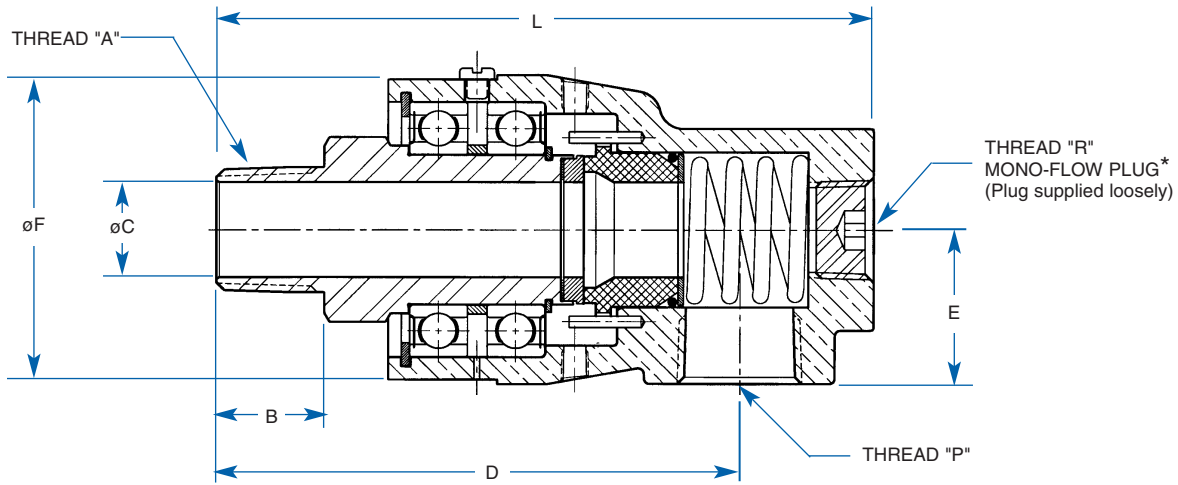
## Repair Kits for both Mono-Flow and Duo-Flow

Union size	Part number
3/8"	10-67295-XX
1/2"	10-67296-XX
3/4"	10-67297-XX
1"	10-67298-XX
1 1/4"	10-67626-XX
1 1/2"	10-67299-XX
2"	10-67300-XX



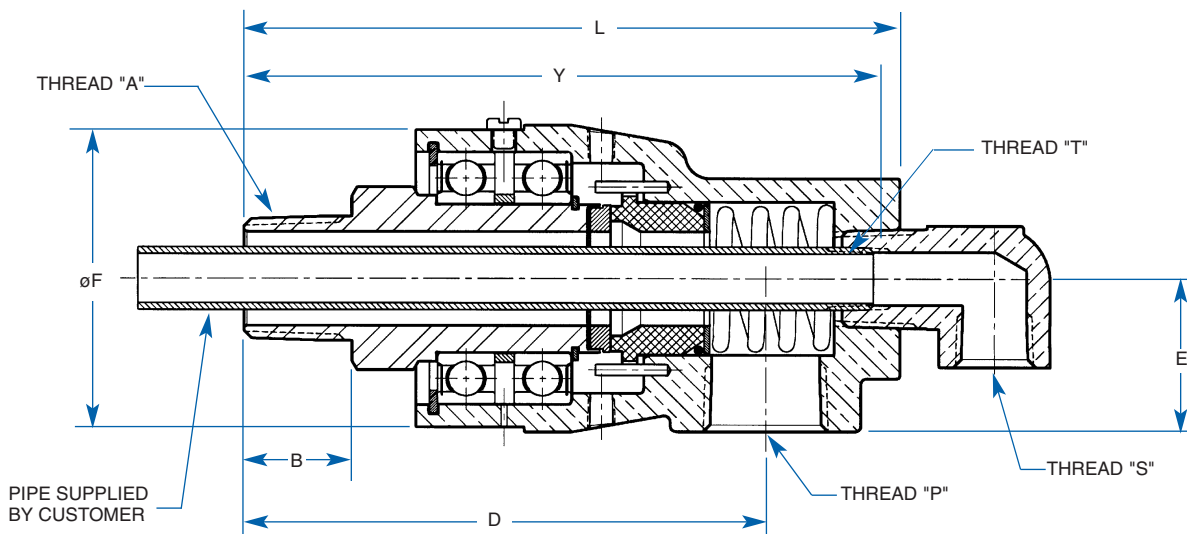
-XX Elastomer Suffix, Specify: -01 = HNBR (Standard), -04 = EPR (Special), -06 = Viton (Special).

## Mono-Flow Water Rotary Union



\*Seal & tighten plug, or install duo-flow elbow as required before use.

## Duo-Flow Water Rotary Union



**Barco International**  
 1100 Alexander Court  
 Cary, IL 60013-1892  
 Phone: (847) 516-0900  
 Fax: (847) 516-5590



A DIVISION OF MARISON INDUSTRIES

[www.barcoseals.com](http://www.barcoseals.com)  
 email: [info@barcoseals.com](mailto:info@barcoseals.com)

Specifications subject to change without notice.  
 Barco products are protected by patents internationally.  
 Copyright ©2009 Barco Division Marison Industries, Inc.

Printed in USA 06/09

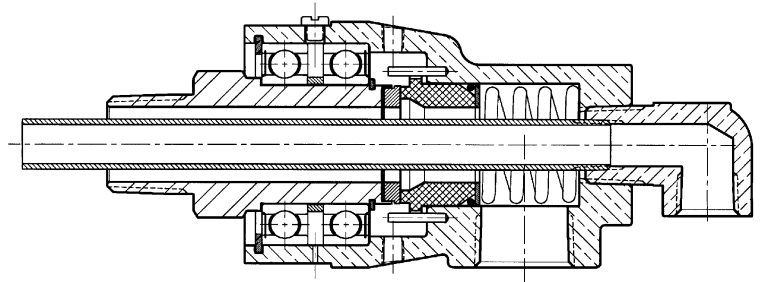
# Duo-Flow Syphon Elbows

## ROTARY SYPHON ELBOWS

**Style A** Threaded Stationary Syphon Elbow

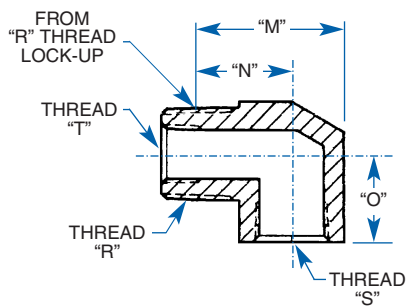
**Style B** Brazed Stationary Syphon Elbow

**Style C** Rotating Pipe or Tube Syphon Elbow



### Style A

For Threaded Stationary Supply Pipe

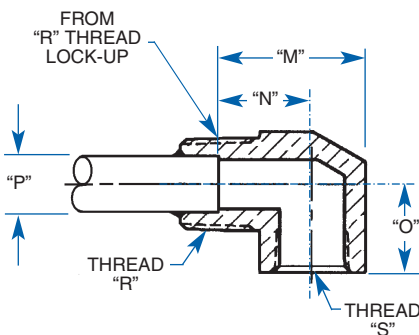


Threaded Stationary Syphon Elbow

Union Size	Part Number	"M"	"N"	"O"	"R" NPT	"S" NPT	Thread "T" NPT
1/2"	01-67064-23*	1.09" (28)	.65" (17)	.50" (13)	3/8"	3/8"	1/8"
3/4"	01-31260-00	1.45" (37)	.86" (22)	1.05" (27)	1/2"	1/2"	1/8"
	01-31261-00*						1/4"
1"	01-67263-23	1.66" (42)	1.07" (27)	.94" (24)	3/4"	1/2"	1/4"
	01-63771-23*						3/8"
1 1/4"	01-62257-23*	1.90" (48)	1.21" (31)	1.25" (32)	1"	3/4"	1/2"
1 1/2"	01-69555-23	2.59" (66)	1.72" (44)	1.62" (41)	1 1/4"	1"	1/2"
	01-65690-23*	2.57" (65)	1.70" (43)				3/4"
2"	01-65690-23	2.57" (65)	1.70" (43)	1.62" (41)	1 1/4"	1"	3/4"
	01-65763-23*	2.46" (62)	1.59" (40)				1"

### Style B

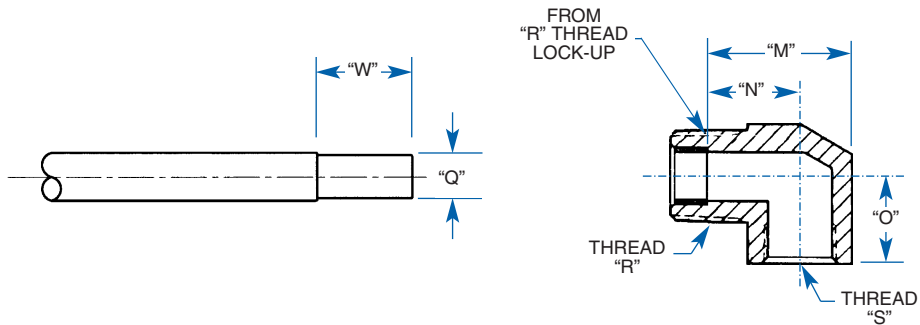
For Brazed Stationary Supply



Brazed Stationary Syphon Elbow

Union Size	Part Number	"M"	"N"	"O"	Tube Dia. "P"	"R" NPT	"S" NPT
3/8"	01-62414-23*	.93" (24)	.52" (13)	.45" (11)	Ø.25" (6.4)	1/4"	1/4"
1/2"	01-65760-23*	1.09" (28)	.65" (17)	.50" (13)	Ø.38" (9.7)	3/8"	3/8"
3/4"	01-64167-23	1.45" (37)	.86" (22)	1.05" (27)	Ø.44" (11.2)	1/2"	1/2"
	01-65562-23				Ø.38" (9.7)		
	01-66067-23*				Ø.50" (12.7)		
1"	01-64357-23*	1.66" (42)	1.07" (27)	.94" (24)	Ø.63" (16)	3/4"	1/2"
1 1/4"	01-67266-23*	1.90" (48)	1.21" (31)	1.25" (32)	Ø.75" (19)	1"	3/4"
1 1/2"	01-69557-23	2.69" (68)	1.81" (46)	1.62" (41)	Ø.75" (19)	1 1/4"	1"
	01-67272-23*				Ø1.00" (25.4)		
2"	01-67272-23	2.69" (68)	1.81" (46)	1.62" (41)	Ø1.00" (25.4)	1 1/4"	1"
	01-67273-23*	2.64" (67)	1.77" (45)		Ø1.25" (31.8)		

Rotating Duo-Flow Elbows



**Syphon Pipe**

Syphon Pipe End Detail

Rotating Syphon Elbow

**Style C**

Rotary Supply Pipe/Tube with Teflon® Bushing

Union Size	Part Number	"M"	"N"	"O"	Pipe Size	Turned Pipe Dia. "Q"	"R" NPT	"S" NPT	"W"
1/2"	10-67150-23*	1.09" (28)	.65" (17)	.50" (13)	1/8"	.372" (9.45) .371" (9.42)	3/8"	3/8"	1.13" (28)
3/4"	10-67259-23*	1.45" (37)	.86" (22)	1.05" (27)	1/4"	.497" (12.62) .496" (12.60)	1/2"	1/2"	1.13" (28)
1"	10-67264-23*	1.66" (42)	1.07" (27)	.94" (24)	3/8"	.622" (15.80) .621" (15.77)	3/4"	1/2"	1.25" (32)
1 1/4"	10-66857-23*	1.90" (48)	1.21" (31)	1.25" (32)	1/2"	.810" (20.57) .808" (20.52)	1"	3/4"	1.50" (38)
1 1/2"	10-69556-23	2.31" (59)	1.44" (37)	1.62" (41)	1/2"	.810" (20.57) .808" (20.52)	1 1/4"	1"	1.50" (38)
	10-66827-00*	2.12" (54)	1.25" (32)		3/4"	.997" (25.32) .995" (25.27)			
2"	10-66827-00	2.12" (54)	1.25" (32)	1.62" (41)	3/4"	.997" (25.32) .995" (25.27)	1 1/4"	1"	2.00" (51)
	10-67271-23*	2.06" (52)	1.19" (30)		1"	1.247" (31.67) 1.245" (31.62)			

\* These Duo-flow elbows provide the maximum flow rate available for the size rotary union and elbow size.

Barco has several different syphon elbow combinations available, please contact Barco to discuss your specific needs.

**Barco International**  
1100 Alexander Court  
Cary, IL 60013-1892  
Phone: (847) 516-0900  
Fax: (847) 516-5590



A DIVISION OF MARISON INDUSTRIES