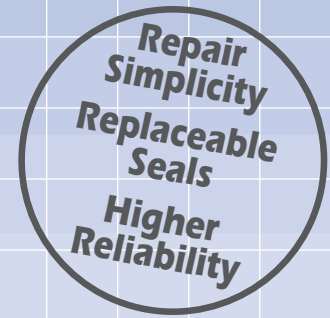


BARCO SERIES **E-75RS**

2½" Water Rotary Union



Special Design Features

- Silicon carbide to carbon graphite mechanical seals.
- Clean, unobstructed flow path.
- Slinger and vented housing protects bearings from grease washout.
- Replaceable seal assembly.
- Mono-Flow and Duo-Flow configurations.
- Threaded and flanged connections.
- PLUS! Treated sleeve for corrosion resistance.



The Barco E-75RS 2½" Water Rotary Union is designed for applications in the rubber, plastics, converting, film and steel processing industries.

Operating Data

Max. Pressure	200 PSI	14 BAR
Max. Temperature	250°F	120°C
	For higher temperature fluids contact Barco Engineering	
Max. Speed	750 RPM	

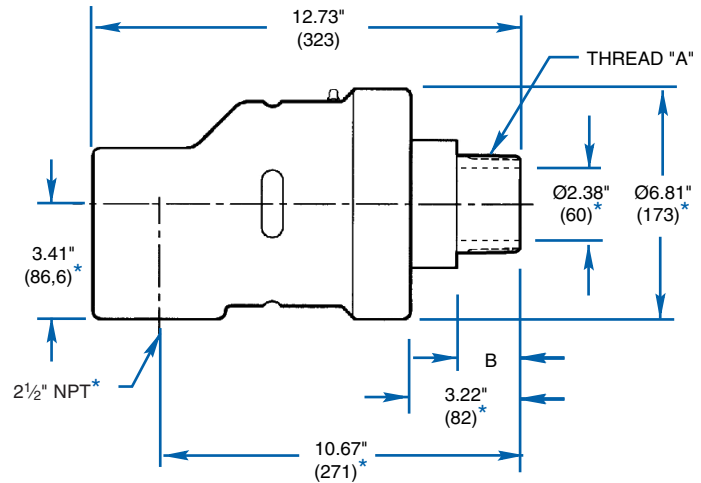
2 1/2" Water Rotary Union

Mono-Flow/Duo-Flow Water Rotary Unions

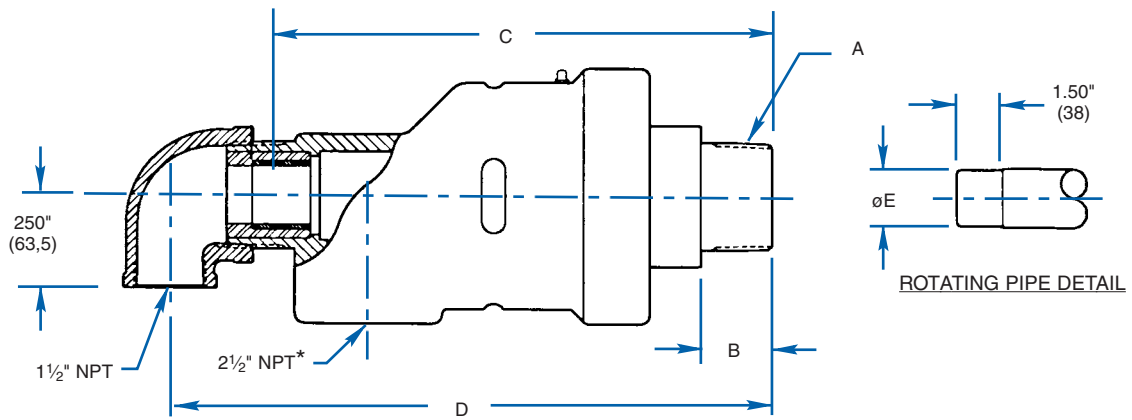
Mono-Flow

Mono-Flow Part Number	A	B
BC-31500-40-01	2 1/2" NPT (R.H.)	1.88" (48)
BC-31501-40-01	2 1/2" NPT (L.H.)	
BC-31542-40-01	2 1/2" BSPP (R.H.)	1.50" (38)
BC-31543-40-01	2 1/2" BSPP (L.H.)	
BC-31502-40-01	Quick Release	see detail

* Denotes dimensions which are standard on all NPT and BSPP Mono-Flow and Duo-Flow Unions.

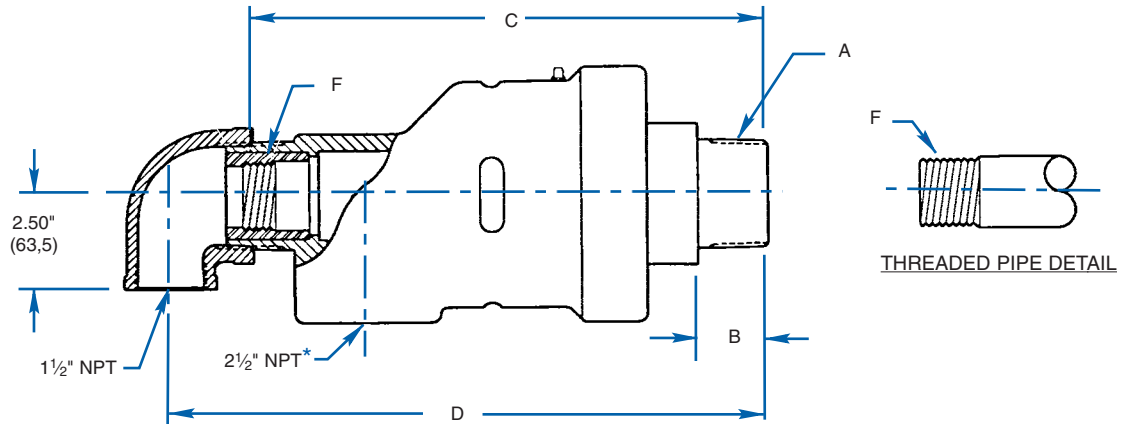


Duo-Flow Rotating Pipe



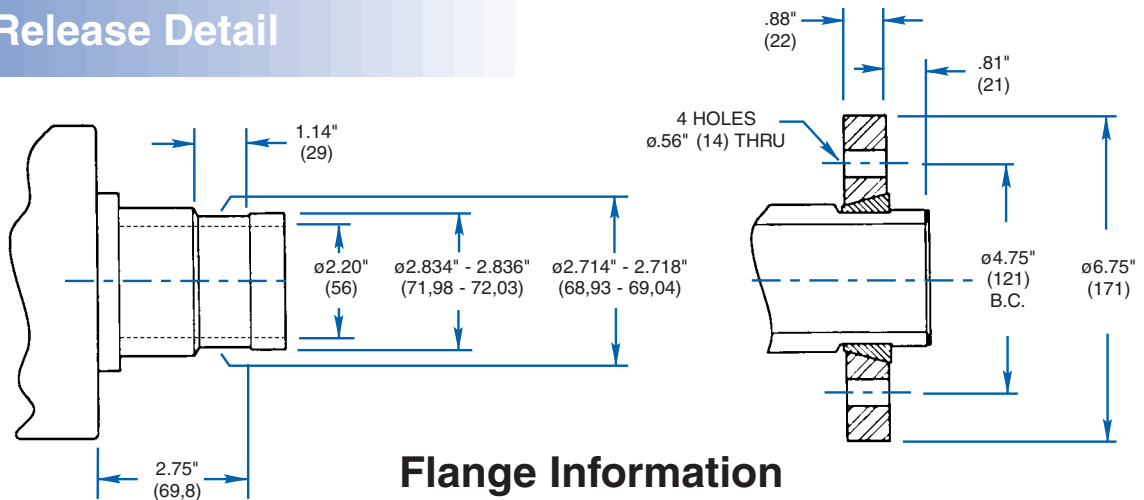
Duo-Flow Part number	A	B	C Pipe Length Into Union	D	øE	Syphon Pipe Size
BC-31515-40-01	2 1/2" NPT (R.H.)	1.88" (48)	13.31" (348)	15.91" (404)	ø1.238" - 1.243" (31,44 - 31,57)	1"
BC-31516-40-01	2 1/2" NPT (L.H.)					
BC-31534-40-01	2 1/2" BSPP (R.H.)	1.50" (38)				
BC-31535-40-01	2 1/2" BSPP (L.H.)					
BC-31510-40-01	Quick Release	See Detail	13.59" (345)	16.19" (411)		
BC-31504-40-01	2 1/2" NPT (R.H.)	1.88" (48)	13.31" (348)	15.91" (404)	ø1.737" - 1.742" (44,12 - 44,25)	1 1/2"
BC-31505-40-01	2 1/2" NPT (L.H.)					
BC-31536-40-01	2 1/2" BSPP (R.H.)	1.50" (38)				
BC-31537-40-01	2 1/2" BSPP (L.H.)					
BC-31506-40-01	Quick Release	See Detail	13.59" (345)	16.19" (411)		

Duo-Flow Fixed Pipe



Duo-Flow Part number	A	B	C Pipe Length Into Union	D	F Thread	Syphon Pipe Size
BC-31507-40-01	2 1/2" NPT (R.H.)	1.88" (48)	13.92" (353)	15.91" (404)	1" NPT	1"
BC-31508-40-01	2 1/2" NPT (L.H.)					
BC-31538-40-01	2 1/2" BSPP (R.H.)	1.50" (38)				
BC-31539-40-01	2 1/2" BSPP (L.H.)					
BC-31514-40-01	Quick Release	See Detail	14.20" (361)	16.19" (411)		
BC-31520-40-01	2 1/2" NPT (R.H.)	1.88" (48)	14.19" (360)	15.91" (404)	1 1/2" NPT	1 1/2"
BC-31521-40-01	2 1/2" NPT (L.H.)					
BC-31540-40-01	2 1/2" BSPP (R.H.)	1.50" (38)				
BC-31541-40-01	2 1/2" BSPP (L.H.)					
BC-31533-40-01	Quick Release	See Detail	14.47" (367)	16.19" (411)		

Quick Release Detail

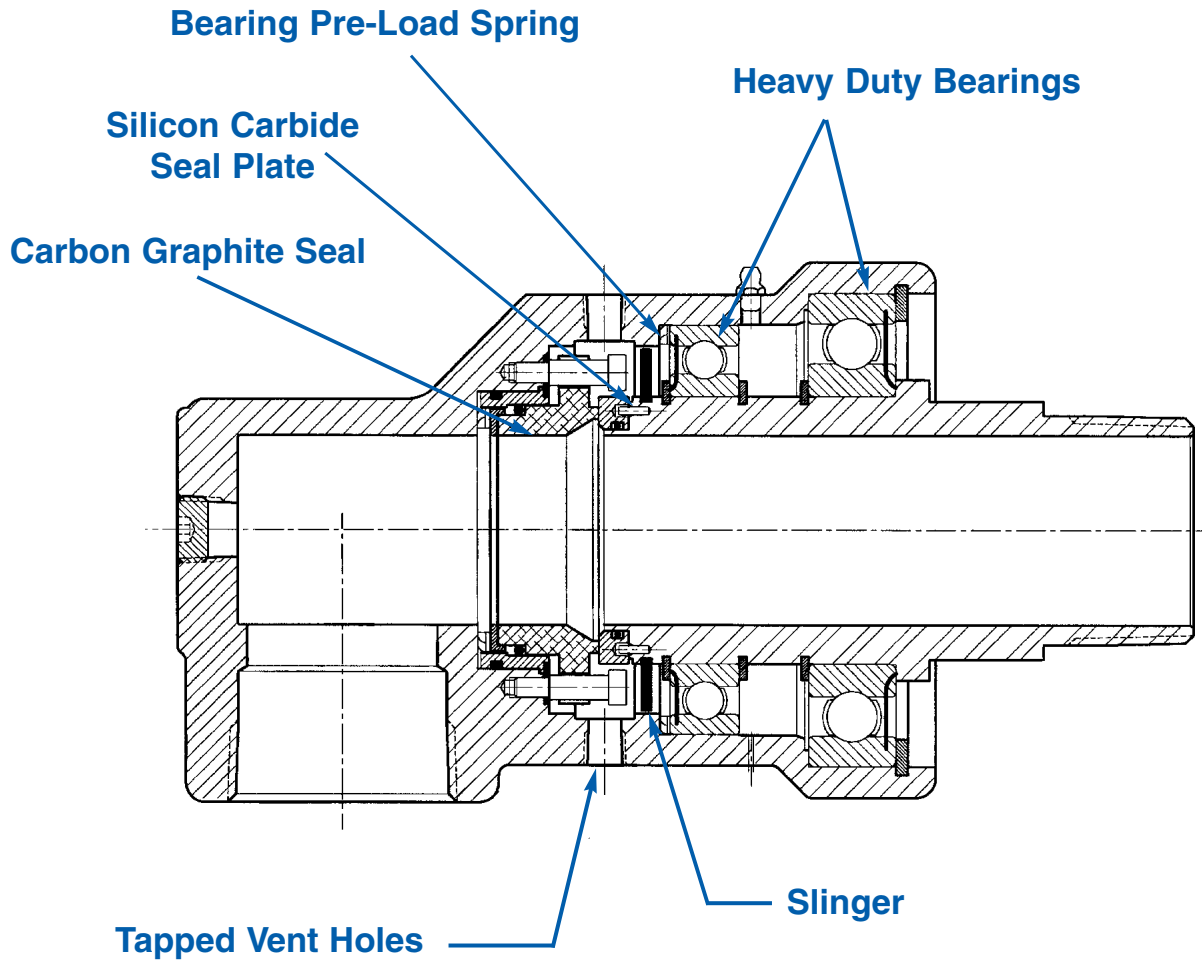


Flange Information

10-64037-43 Quick Release
Flange Kit sold separately

BARCO SERIES E-75RS

2½" Water Rotary Union



Barco
International Headquarters
1100 Alexander Court
Cary, IL 60013-1892
Phone: (847) 516-0900
Fax: (847) 516-5590



A DIVISION OF MARISON INDUSTRIES

Specifications subject to change without notice.
Barco products are protected by patents internationally.
Copyright ©2010 Barco Division Marison Industries, Inc.

www.barcoseals.com
email: info@barcoseals.com

Printed in USA 3/11