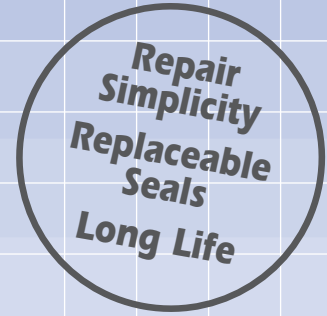


BARCO SERIES **E-75RS**

3" Water Rotary Union



Special Design Features

- Silicon carbide to carbon graphite mechanical seals.
- Clean, unobstructed flow path.
- Slinger and vented housing protects bearings from grease washout.
- Widely separated pre-loaded bearings minimize vibration.
- Mono-Flow and Duo-Flow configurations.
- Threaded and flanged connections.
- PLUS! Treated sleeve for corrosion resistance.



The Barco E-75RS 3" Water Rotary Union includes state-of-the-art technology for use with water applications.

It is designed for use on mills and calenders in the rubber industry, galvanizing lines in the steel industry and film lines in the plastics industry.

Operating Data

Max. Pressure	150 PSI	10,3 BAR
Max. Temperature	250°F	120°C
Max. Speed	500 RPM	

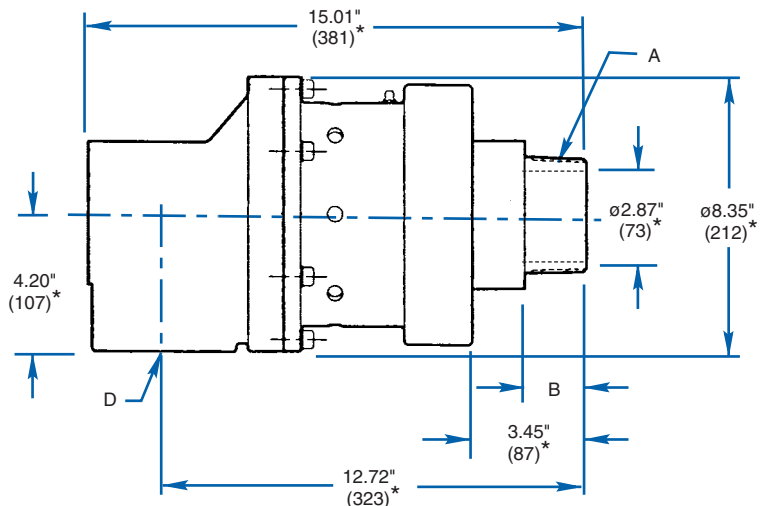
3" Water Rotary Union

Mono-Flow/Duo-Flow Water Rotary Unions

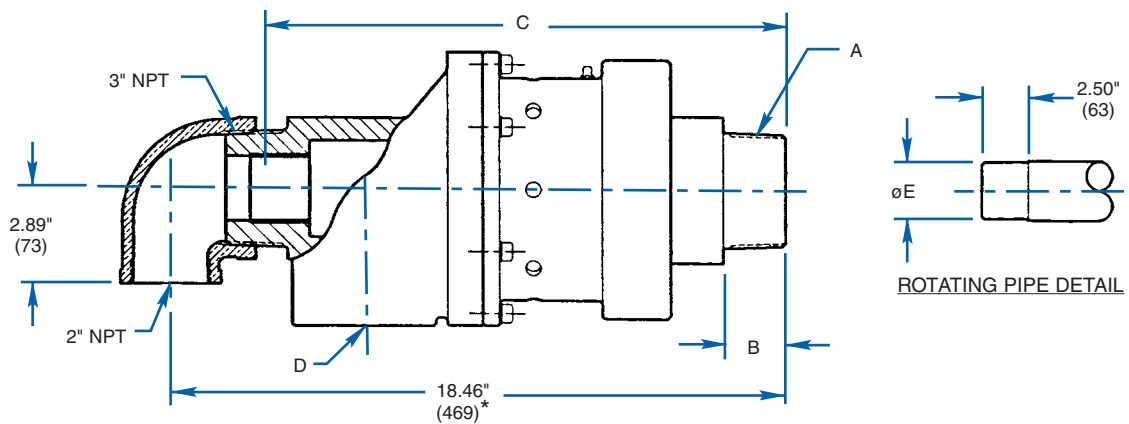
Mono-Flow

Mono-Flow Part Number	A	B	D
BC-31500-48-01	3" NPT (R.H.)	1.87" (47)	3" NPT
BC-31501-48-01	3" NPT (L.H.)		
BC-31542-48-01	3" BSPP (R.H.)	1.73" (44)	
BC-31543-48-01	3" BSPP (L.H.)		
BC-31502-48-01	Quick Release	see detail	

* Denotes dimensions which are standard on all NPT and BSPP Mono-Flow and Duo-Flow Unions.

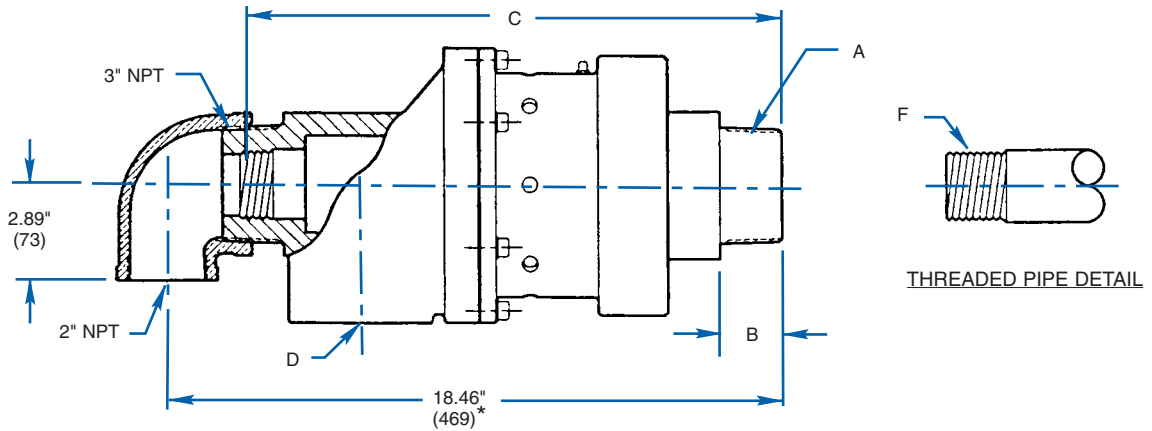


Duo-Flow Rotating Pipe



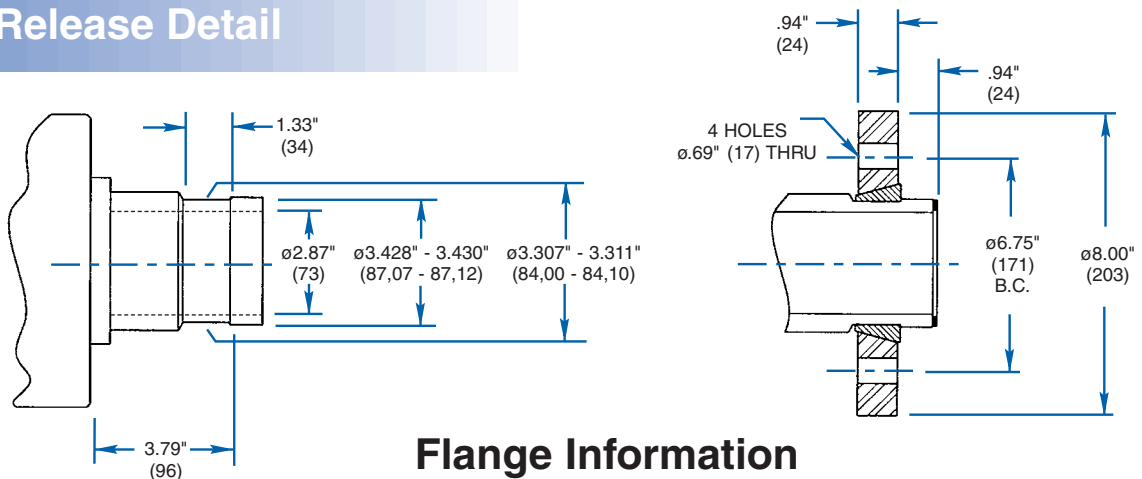
Duo-Flow Part number	A	B	C Pipe Length Into Union	D	Syphon Pipe Size	øE
BC-31515-48-01	3" NPT (R.H.)	1.87" (47)	16.35" (415)	2" NPT	1 1/2"	ø1.867" - 1.865" (47,42 - 47,37)
BC-31516-48-01	3" NPT (L.H.)					
BC-31534-48-01	3" BSPP (R.H.)	1.73" (44)				
BC-31535-48-01	3" BSPP (L.H.)					
BC-31510-48-01	Quick Release	See Detail				
BC-31504-48-01	3" NPT (R.H.)	1.87" (47)	16.08" (408)	2" NPT	2"	ø2.308" - 2.302" (58,62 - 58,47)
BC-31505-48-01	3" NPT (L.H.)					
BC-31536-48-01	3" BSPP (R.H.)	1.73" (44)				
BC-31537-48-01	3" BSPP (L.H.)					
BC-31506-48-01	Quick Release	See Detail				

Duo-Flow Fixed Pipe



Duo-Flow Part number	A	B	C Pipe Length Into Union	D	Syphon Pipe Size	F Thread
BC-31507-48-01	3" NPT (R.H.)	1.87" (47)	16.44" (417)	2" NPT	1½"	1½" NPT
BC-31508-48-01	3" NPT (L.H.)					
BC-31538-48-01	3" BSPP (R.H.)	1.73" (44)	17.72" (450)	2" NPT	2"	2" NPT
BC-31539-48-01	3" BSPP (L.H.)					
BC-31514-48-01	Quick Release	See Detail	17.55" (446)			
BC-31520-48-01	3" NPT (R.H.)	1.87" (47)	16.23" (412)	2" NPT	2"	2" NPT
BC-31521-48-01	3" NPT (L.H.)					
BC-31540-48-01	3" BSPP (R.H.)	1.73" (44)	17.55" (446)	2" NPT	2"	2" NPT
BC-31541-48-01	3" BSPP (L.H.)					
BC-31533-48-01	Quick Release	See Detail				

Quick Release Detail

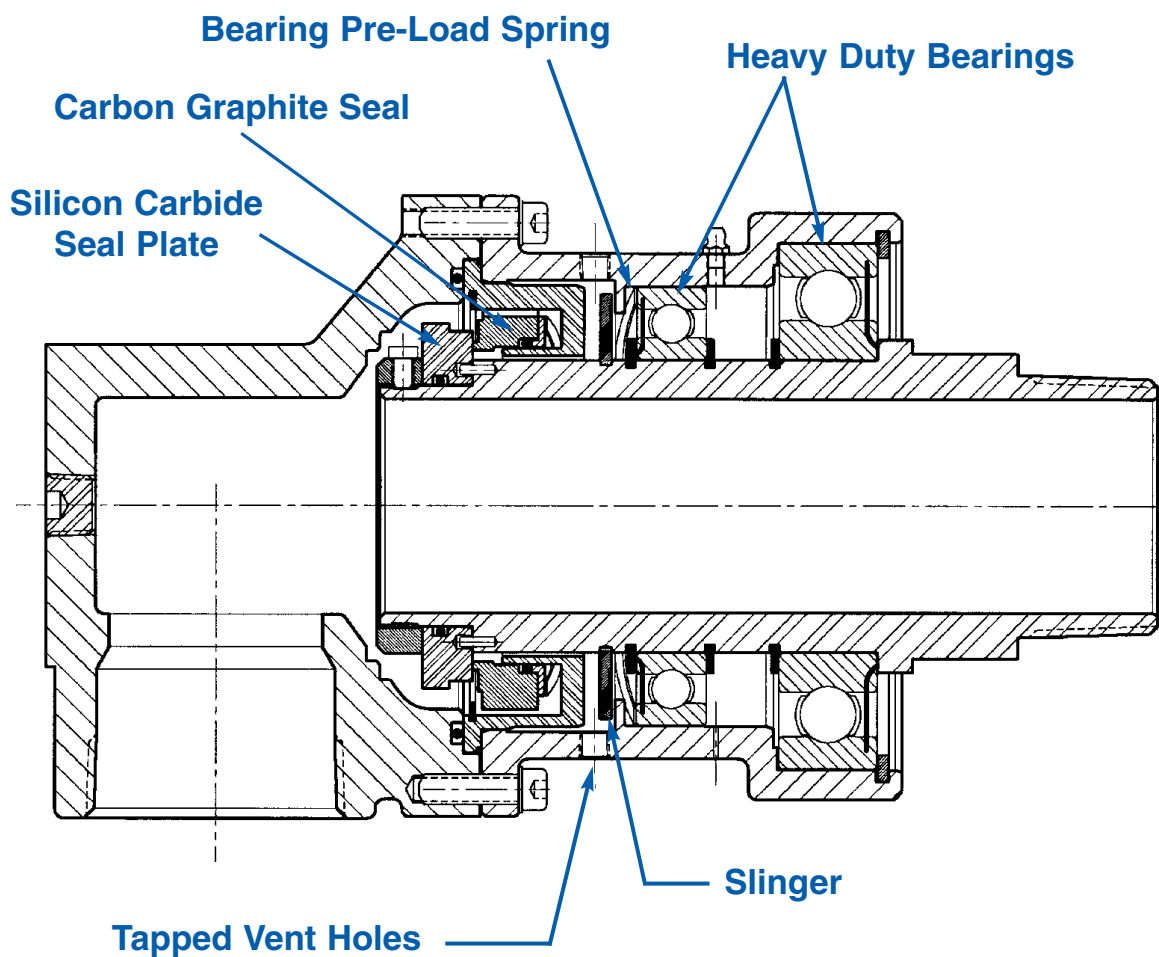


Flange Information

10-64038-43 Quick Release
Flange Kit sold separately

BARCO SERIES E-75RS

3" Water Rotary Union



Barco
International Headquarters
1100 Alexander Court
Cary, IL 60013-1892
Phone: (847) 516-0900
Fax: (847) 516-5590



A DIVISION OF MARISON INDUSTRIES

Specifications subject to change without notice.
Barco products are protected by patents internationally.
Copyright ©2010 Barco Division Marison Industries, Inc.

www.barcoseals.com
email: info@barcoseals.com