



BARCO SERIES

# E-75 RS

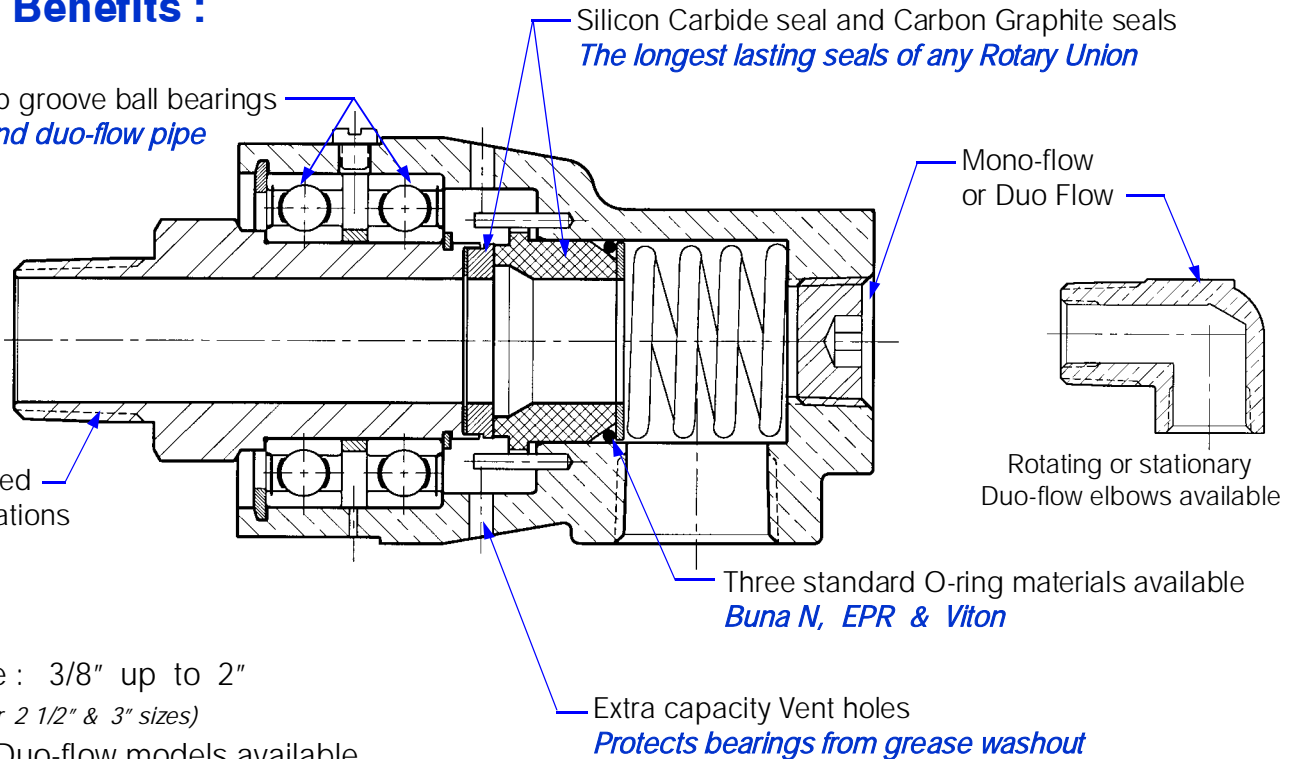
## Water Service Rotary Union

### Features & Benefits :

2 over-sized deep groove ball bearings  
*Supports seals and duo-flow pipe*

Threads or Flanged  
to fit most applications

7 sizes available : 3/8" up to 2"  
*(see separate flyer for 2 1/2" & 3" sizes)*  
Mono-flow and Duo-flow models available



### Operating Parameters :

Pressure 150 PSI Max.

Speed to 3500 RPM

|             |       |     |             |
|-------------|-------|-----|-------------|
| Temperature | 225°F | -01 | Buna N seal |
|             | 350°F | -04 | EPR         |
|             | 350°F | -06 | Viton       |

### Additional Benefits :

- Dry run capable
- 3 year printing press warranty
- Easily repairable with an inexpensive kit
- Exact interchange to most competitive unions
- Applications below 180°F are lubed for life
- Lowest cost water service union available**
- Most models shipped the same day or Next day**

### Applications :

- Heating and cooling rolls including :
- Web off set printing
  - Rubber Mills, Mixers and Calendars
  - Plastic extruders and Calendars
  - Embossing Rolls

*Barco ToughGuy Performance Challenge -*

## *Guaranteed to outlast any Rotary Union !*

Contact Barco for more details.

*Engineered for Exceptional Performance*