

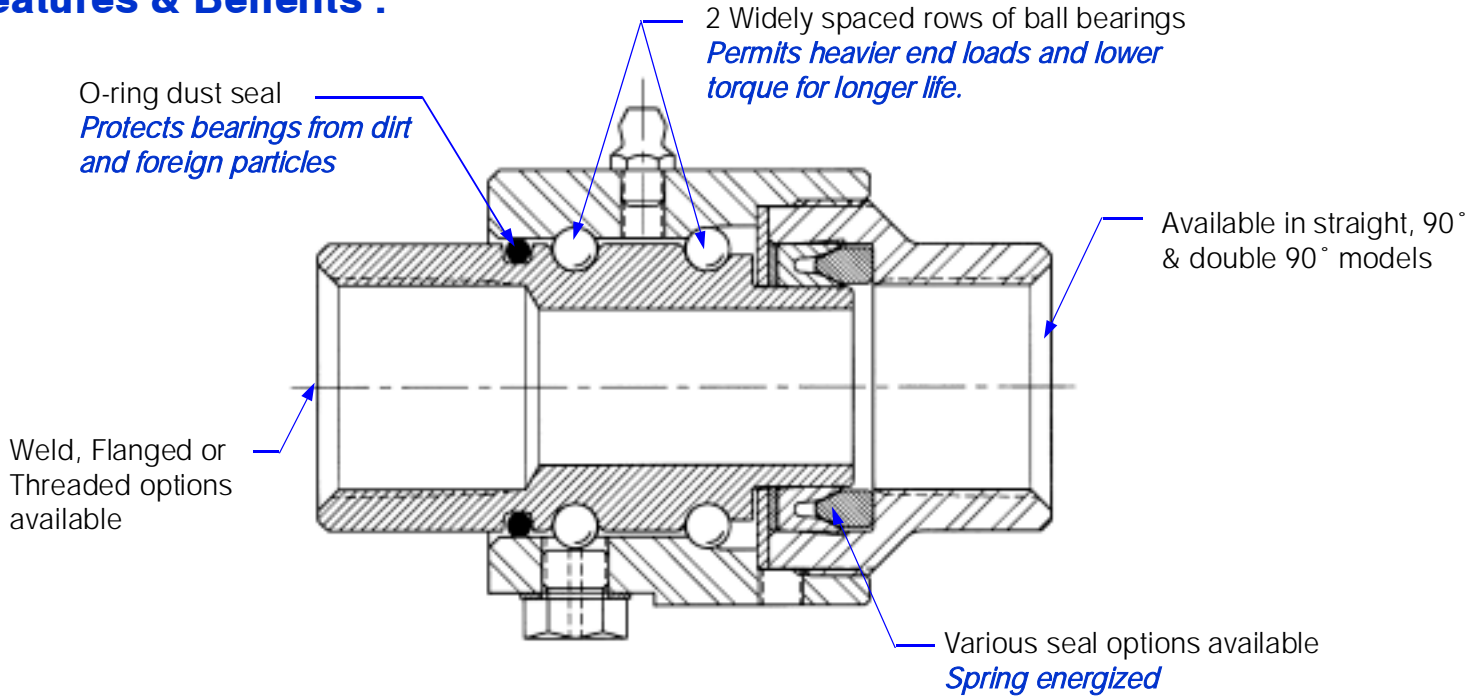


BARCO SERIES

# Plane Swivel

## Water Service Rotary Union

### Features & Benefits :



6 sizes available : 1" through to 6"



### Operating Parameters :

Code	Description	Temperature Range
-01	Buna N seal	-40° to 225°F
-04	EPR	-20° to 325°F
-06	Viton	-20° to 300°F

The Barco Plane Swivel Joints provide 360° movement between piping elements in one or more planes for conveying or transferring a wide range of fluids including oils, water, air, gasses and chemicals.

### Additional Benefits :

- Available in threaded, welded and flanged ends to suit your application.
- Simple design permits fast easy installation.
- Spring energized seals offer leak-tight sealing at all pressures, including vacuum.
- Seal can be replaced without removing bearings.
- Available in three seal materials that are compatible with many gasses, fluids & chemicals.

### Applications :

- Manual and Automatic Car Washes
- Hydraulic Machinery
- Cleaning Equipment
- Hose Reels
- Tank Floating Roof Drain Systems
- Steel Industry



*Engineered for Exceptional Performance*